

INSTRUCTION MANUAL  
MANUEL D'INSTRUCTION  
MANUAL DE INSTRUCCIONES

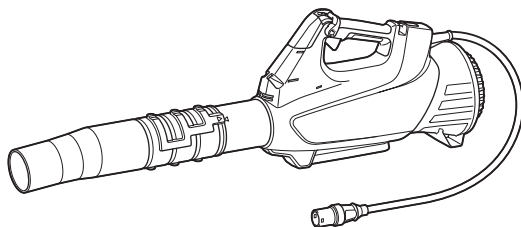


# Battery Powered Blower

## Souffleur à batterie

## Sopladora Alimentada a Batería

### UB001C



**IMPORTANT:** Read Before Using.

**IMPORTANT :** Lire avant usage.

**IMPORTANTE:** Lea antes de usar.

## SPECIFICATIONS

Model:		UB001C
Capacities	Air volume	0 - 17.6 m <sup>3</sup> /min (0 - 622 cu.ft./min)
	Air speed (average)	0 - 58.0 m/s (0 - 130 MPH)
	Air speed (max.)	0 - 70.0 m/s (0 - 157 MPH)
Overall length (with end nozzle)		960 mm (37-3/4") / 1,010 mm (39-3/4") / 1,060 mm (41-3/4")
Rated voltage		D.C. 36 V - 40 V max
Net weight		2.6 - 2.9 kg (5.7 - 6.4 lbs)
Protection degree		IPX4

- Due to our continuing program of research and development, the specifications herein are subject to change without notice.
- Specifications may differ from country to country.
- Weight according to EPTA-Procedure 01/2014

### Applicable portable power pack

PDC01

**⚠ WARNING:** Only use the portable power packs listed above. Use of any other portable power packs may cause injury and/or fire.

## SAFETY WARNINGS

## IMPORTANT SAFETY INSTRUCTIONS

When using an electrical appliance, basic precautions should always be followed, including the following:

### READ ALL INSTRUCTIONS BEFORE USING THIS APPLIANCE. WARNING - To reduce the risk of fire, electric shock, or injury:

1. Do not leave appliance when battery fitted. Remove battery from appliance when not in use and before servicing.
2. Do not expose to rain. Store indoors.
3. Do not allow to be used as a toy. Close attention is necessary when used by or near children.
4. Use only as described in this manual. Use only manufacturer's recommended attachments.
5. Do not use with damaged battery. If appliance is not working as it should, has been dropped, damaged, left outdoors, or dropped into water, return it to a service center.

6. Do not put any object into openings. Do not use with any opening blocked; keep free of dust, lint, hair, and anything that may reduce air flow.
7. Keep hair, loose clothing, fingers, and all parts of body away from openings and moving parts.
8. Use extra care when cleaning on stairs.
9. Use only the charger supplied by the manufacturer to recharge.

## SAVE THESE INSTRUCTIONS.

This appliance is intended for both household use and commercial use.

## Battery Powered Blower Safety Instructions

### Preparation

1. Always wear substantial footwear and long trousers while operating the blower.
2. Do not wear loose clothing or jewellery that can be drawn into the air inlet. Keep long hair away from the air inlets.
3. Always use protective goggles, a cap and mask when using the blower. Ordinary eye or sun glasses are NOT safety glasses.
4. To prevent dust irritation the wearing of a face mask is recommended.
5. While operating the machine, always wear non-slip and protective footwear. Non-skid, closed-toed safety boots and shoes will reduce the risk of injury.
6. Inspect the cord before operating the machine. If the cord is damaged, ask Makita Authorized Service Centers for repair.

### Operation

1. Never operate the blower while people, especially children, or pets are nearby.
2. Switch off the blower and remove the battery and make sure that all moving parts have come to a complete stop
  - whenever you leave the blower.
  - before clearing blockages.

- before checking, cleaning or working on the blower.
  - if the blower starts to vibrate abnormally.
3. Operate the blower only in daylight or in good artificial light.
  4. Do not overreach and keep proper balance and footing at all times.
  5. Never blow debris in the direction of bystanders.
  6. Operate the blower in a recommended position and on a firm surface.
  7. Do not operate the blower at high places.
  8. Never point the nozzle at anyone in the vicinity when using the blower.
  9. Never block suction inlet and/or blower outlet.
    - Be careful not to block suction inlet or blower outlet with dust or dirt when operating in dusty area.
    - Do not use nozzles other than the nozzles provided by Makita.
    - Do not use the blower to inflate balls, rubber boat or the similar.
  10. Do not operate the blower near open window, etc.
  11. Operating the blower only at reasonable hours is recommended - not early in the morning or late at night when people might be disturbed.
  12. Using rakes and brooms to loosen debris before blowing is recommended.
  13. If the blower strikes any foreign objects or should start making any unusual noise or vibration, immediately switch off the blower to stop it. Remove the battery from the blower and inspect the blower for damage before restarting and operating the blower. If the blower is damaged, ask Makita Authorized Service Centers for repair.
  14. Do not insert fingers or other objects into suction inlet or blower outlet.
  15. Prevent unintentional starting. Ensure the switch is in the off-position before inserting battery, picking up or carrying the blower. Carrying the blower with your finger on the switch or energizing the blower that has the switch on invites accidents.
  16. Never blow dangerous materials, such as nails, fragments of glass, or blades.
  17. Do not operate the blower near flammable materials.
  18. Avoid operating the blower for a long time in low temperature environment.
  19. Always be sure of your footing on slopes.
  20. Do not use the machine when there is a risk of lightning.
  21. When you use the machine on muddy ground, wet slope, or slippery place, pay attention to your footing.
  22. Avoid working in poor environment where increased user fatigue is expected.
  23. Do not use the machine in bad weather where visibility is limited. Failure to do so may cause fall or incorrect operation due to low visibility.
  24. Do not submerge the machine into a puddle.
  25. When wet leaves or dirt adhere to the suction mouth (ventilation window) due to rain, remove them.

## Maintenance and storage

1. Keep all nuts, bolts and screws tight to be sure the blower is in safe working condition.
2. If the parts are worn or damaged, replace them with parts provided by Makita.
3. Store the blower in a dry place out of the reach of children.
4. When you stop the blower for inspection, servicing, storage, or changing accessory, switch off the blower and make sure that all moving parts come to a complete stop, and remove the battery. Cool down the blower before making any work on the blower. Maintain the blower with care and keep it clean.
5. Always cool down the blower before storing.
6. When you lift the blower, be sure to bend your knees and be careful not to hurt your back.
7. Do not leave the machine unattended outdoors in the rain.
8. Do not wash the machine with high pressure water.
9. When storing the machine, avoid direct sunlight and rain, and store it in a place where it does not get hot or humid.
10. Perform inspection or maintenance in a place where rain can be avoided.
11. After using the machine, remove the adhered dirt and dry the machine completely before storing. Depending on the season or the area, there is a risk of malfunction due to freezing.
12. Do not pick up or carry the machine by holding only the cord.

## Battery tool use and care

1. Prevent unintentional starting. Ensure the switch is in the off-position before connecting to battery pack, picking up or carrying the machine. Carrying the machine with your finger on the switch or energizing machine that have the switch on invites accidents.
2. Disconnect the battery pack from the machine before making any adjustments, changing accessories, or storing machine. Such preventive safety measures reduce the risk of starting the machine accidentally.
3. Recharge only with the charger specified by the manufacturer. A charger that is suitable for one type of battery pack may create a risk of fire when used with another battery pack.
4. Use machines only with specifically designated battery packs. Use of any other battery packs may create a risk of injury and fire.
5. When battery pack is not in use, keep it away from other metal objects, like paper clips, coins, keys, nails, screws or other small metal objects, that can make a connection from one terminal to another. Shorting the battery terminals together may cause burns or a fire.
6. Under abusive conditions, liquid may be ejected from the battery; avoid contact. If contact accidentally occurs, flush with water. If liquid contacts eyes, seek medical help. Liquid ejected from the battery may cause irritation or burns.

7. Do not use a battery pack or machine that is damaged or modified. Damaged or modified batteries may exhibit unpredictable behaviour resulting in fire, explosion or risk of injury.
8. Do not expose a battery pack or machine to fire or excessive temperature. Exposure to fire or temperature above 130°C (265°F) may cause explosion.
9. Follow all charging instructions and do not charge the battery pack or machine outside of the temperature range specified in the instructions. Charging improperly or at temperatures outside of the specified range may damage the battery and increase the risk of fire.
10. Have servicing performed by a qualified repair person using only identical replacement parts. This will ensure that the safety of the product is maintained.
11. Do not modify or attempt to repair the machine or the battery pack except as indicated in the instructions for use and care.

#### Electrical and battery safety

1. Do not dispose of the battery(ies) in a fire. The cell may explode. Check with local codes for possible special disposal instructions.
2. Do not open or mutilate the battery(ies). Released electrolyte is corrosive and may cause damage to the eyes or skin. It may be toxic if swallowed.
3. Do not charge battery in rain, or in wet locations.
4. Do not charge the battery outdoors.
5. Do not handle charger, including charger plug, and charger terminals with wet hands.
6. Do not replace the battery in the rain.
7. Do not wet the terminal of battery with liquid such as water, or submerge the battery. Do not leave the battery in the rain, nor charge, use, or store the battery in a damp or wet place. If the terminal gets wet or liquid enters inside of battery, the battery may be short circuited and there is a risk of overheat, fire, or explosion.
8. After removing the battery from the machine or charger, be sure to attach the battery cover to the battery and store it in a dry place.
9. Do not replace the battery with wet hands.
10. If the battery gets wet, drain the water inside and then wipe it with a dry cloth. Dry the battery completely in a dry place before use.

#### Service

1. Have your power tool serviced by a qualified repair person using only identical replacement parts. This will ensure that the safety of the power tool is maintained.
2. Never service damaged battery packs. Service of battery packs should only be performed by the manufacturer or authorized service providers.

## SAVE THESE INSTRUCTIONS.

**▲WARNING:** DO NOT let comfort or familiarity with product (gained from repeated use) replace strict adherence to safety rules for the subject product.

MISUSE or failure to follow the safety rules stated in this instruction manual may cause serious personal injury.

**▲WARNING:** Use of this product can create dust containing chemicals which may cause respiratory or other illnesses. Some examples of these chemicals are compounds found in pesticides, insecticides, fertilizers and herbicides.

Your risk from these exposures varies, depending on how often you do this type of work. To reduce your exposure to these chemicals: work in a well ventilated area, and work with approved safety equipment, such as those dust masks that are specially designed to filter out microscopic particles.

## Symbols

The followings show the symbols used for tool.

v	volts
— ---	direct current

## Important safety instructions for battery cartridge

1. Before using battery cartridge, read all instructions and cautionary markings on (1) battery charger, (2) battery, and (3) product using battery.
2. Do not disassemble or tamper the battery cartridge. It may result in a fire, excessive heat, or explosion.
3. If operating time has become excessively shorter, stop operating immediately. It may result in a risk of overheating, possible burns and even an explosion.
4. If electrolyte gets into your eyes, rinse them out with clear water and seek medical attention right away. It may result in loss of your eyesight.
5. Do not short the battery cartridge:
  - (1) Do not touch the terminals with any conductive material.
  - (2) Avoid storing battery cartridge in a container with other metal objects such as nails, coins, etc.
  - (3) Do not expose battery cartridge to water or rain.

A battery short can cause a large current flow, overheating, possible burns and even a breakdown.

6. **Do not store and use the tool and battery cartridge in locations where the temperature may reach or exceed 50 °C (122 °F).**
7. **Do not incinerate the battery cartridge even if it is severely damaged or is completely worn out. The battery cartridge can explode in a fire.**
8. **Do not nail, cut, crush, throw, drop the battery cartridge, or hit against a hard object to the battery cartridge.** Such conduct may result in a fire, excessive heat, or explosion.
9. **Do not use a damaged battery.**
10. **The contained lithium-ion batteries are subject to the Dangerous Goods Legislation requirements.**  
For commercial transports e.g. by third parties, forwarding agents, special requirement on packaging and labeling must be observed.  
For preparation of the item being shipped, consulting an expert for hazardous material is required.  
Please also observe possibly more detailed national regulations.  
Tape or mask off open contacts and pack up the battery in such a manner that it cannot move around in the packaging.
11. **When disposing the battery cartridge, remove it from the tool and dispose of it in a safe place. Follow your local regulations relating to disposal of battery.**
12. **Use the batteries only with the products specified by Makita.** Installing the batteries to non-compliant products may result in a fire, excessive heat, explosion, or leak of electrolyte.
13. **If the tool is not used for a long period of time, the battery must be removed from the tool.**
14. **During and after use, the battery cartridge may take on heat which can cause burns or low temperature burns. Pay attention to the handling of hot battery cartridges.**
15. **Do not touch the terminal of the tool immediately after use as it may get hot enough to cause burns.**
16. **Do not allow chips, dust, or soil stuck into the terminals, holes, and grooves of the battery cartridge.** It may result in poor performance or breakdown of the tool or battery cartridge.
17. **Unless the tool supports the use near high-voltage electrical power lines, do not use the battery cartridge near high-voltage electrical power lines.** It may result in a malfunction or breakdown of the tool or battery cartridge.
18. **Keep the battery away from children.**

## SAVE THESE INSTRUCTIONS.

**⚠ CAUTION:** Only use genuine Makita batteries. Use of non-genuine Makita batteries, or batteries that have been altered, may result in the battery bursting causing fires, personal injury and damage. It will also void the Makita warranty for the Makita tool and charger.

## Tips for maintaining maximum battery life

1. **Charge the battery cartridge before completely discharged. Always stop tool operation and charge the battery cartridge when you notice less tool power.**
2. **Never recharge a fully charged battery cartridge. Overcharging shortens the battery service life.**
3. **Charge the battery cartridge with room temperature at 10 °C - 40 °C (50 °F - 104 °F). Let a hot battery cartridge cool down before charging it.**
4. **When not using the battery cartridge, remove it from the tool or the charger.**
5. **Charge the battery cartridge if you do not use it for a long period (more than six months).**

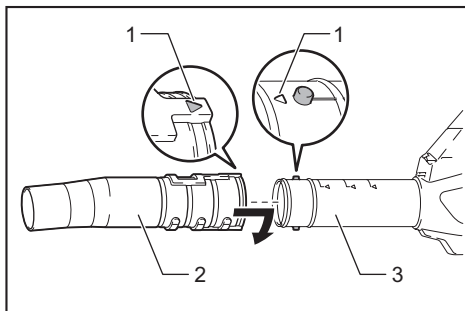
## ASSEMBLY

**⚠ CAUTION:** Always be sure that the machine is switched off and the portable power pack is disconnected from the machine before carrying out any work on the machine.

### Installing the end nozzle

Align the triangle mark on the end nozzle with the triangle mark on the front pipe, then attach the end nozzle to the front pipe, and then turn the end nozzle to lock it into place.

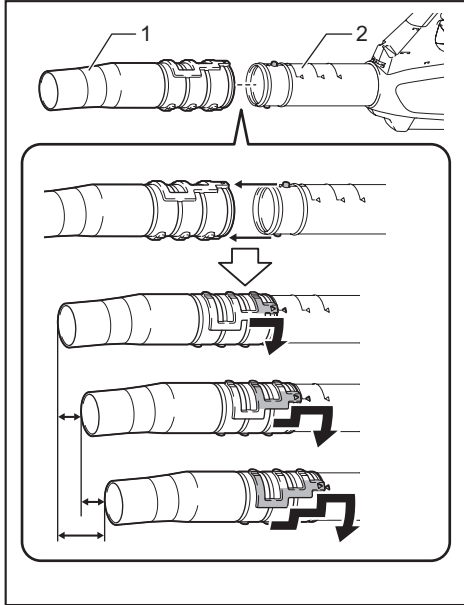
Install the end nozzle so that the tip of the nozzle faces downward. Depending on the working environment, you can install the end nozzle so that the tip of the nozzle is facing up.



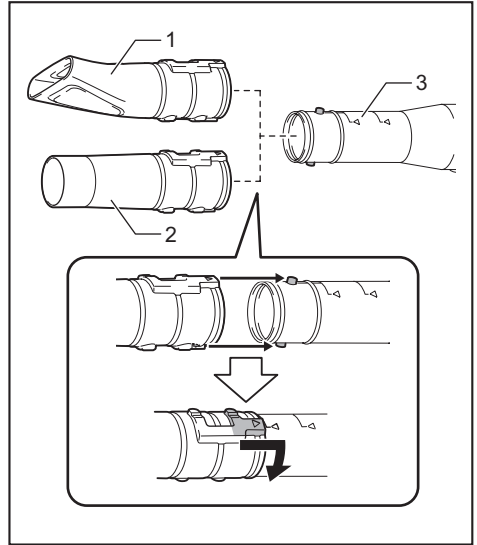
- 1. Triangle mark 2. End nozzle 3. Front pipe

To remove the end nozzle, perform the installation procedure in reverse.

**NOTE:** The length of the nozzle can be changed by moving the nozzle as shown in the figure.



2. Align the groove on the flat nozzle or extension nozzle with the protrusion on the adapter pipe, then attach the flat nozzle or extension nozzle to the adapter pipe, and then turn it to lock it into place.

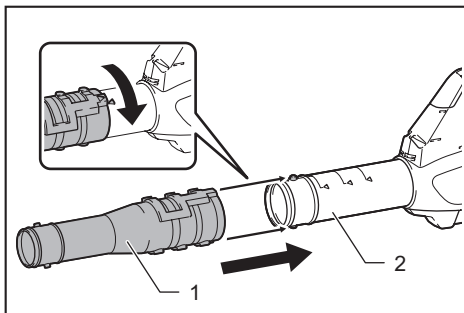


► 1. Flat nozzle 2. Extension nozzle 3. Adapter pipe

## Installing the flat nozzle or extension nozzle

### Optional accessory

1. Align the groove on the adapter pipe with the protrusion on the front pipe, then attach the adapter pipe to the front pipe, and then turn it to lock it into place.



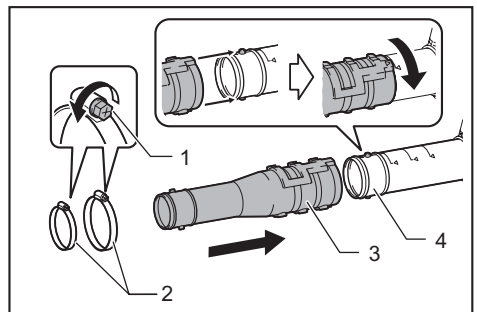
► 1. Adapter pipe 2. Front pipe

## Installing the gutter nozzle set

### Optional accessory

1. Align the groove on the adapter pipe with the protrusion on the front pipe, then attach the adapter pipe to the front pipe, and then turn it to lock it into place.

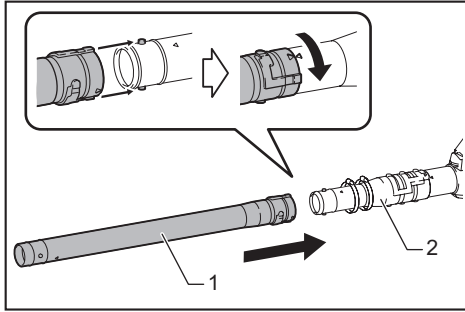
Insert the adapter pipe as far as it will go so that the protrusion fits into the deepest groove on the adapter pipe.



► 1. Screw 2. Hose clamp 3. Adapter pipe 4. Front pipe

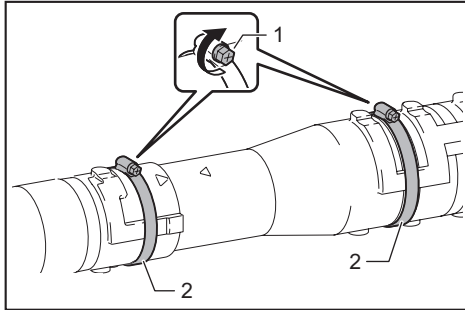
2. Loosen the screws on the hose clamps, and pass the large hose clamp through the adapter pipe, and then pass the small hose clamp.

3. Connect the extension pipe to the adapter pipe. Align the groove on the extension pipe with the protrusion on the adapter pipe, and then slide the extension pipe along its groove so that the triangle markings face each other.



► 1. Extension pipe 2. Adapter pipe

4. Place the hose clamps onto the grooves as illustrated and tighten the screws.

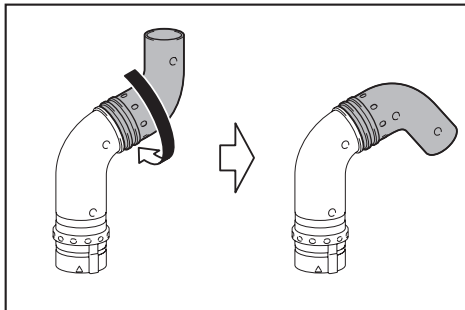


► 1. Screw 2. Hose clamp

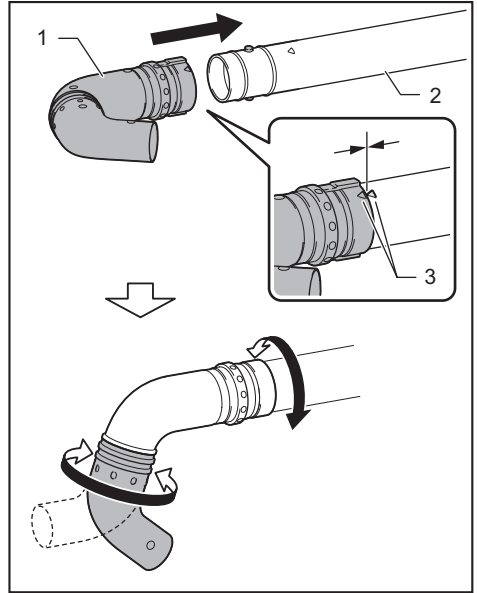
5. According to the working height, connect the rest of extension pipes to the extension pipe which has already been attached.

**CAUTION:** Do not attach the extension pipe if the total length including the blower body exceeds 4 m (14 ft).

6. Turn the outlet of the end nozzle as shown in the figure.

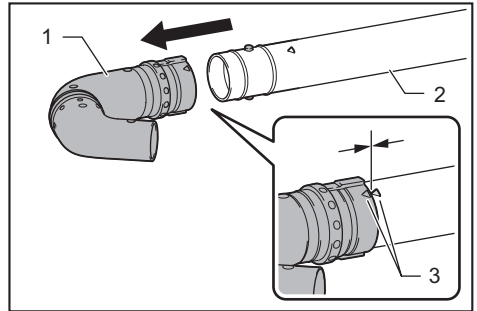


7. Connect the end nozzle to the extension pipe. When connecting, align the triangle marking on the end nozzle and the extension pipe, and then push the end nozzle until it clicks. After that, rotate the end nozzle to a suitable position for your work.



► 1. End nozzle 2. Extension pipe 3. Triangle marking

When removing the end nozzle, align the triangle markings on the end nozzle and extension pipe, and then pull out the end nozzle from the extension pipe.



► 1. End nozzle 2. Extension pipe 3. Triangle marking

## FUNCTIONAL DESCRIPTION

**⚠ CAUTION:** Always be sure that the machine is switched off and the portable power pack is disconnected from the machine before adjusting or checking function on the machine.

### Machine / battery protection system

The machine is equipped with a machine/battery protection system. This system automatically cuts off power to the motor to extend machine and battery life. The machine will automatically stop during operation if the machine or battery is placed under one of the following conditions:

#### Overload protection

When the machine or battery is operated in a manner that causes it to draw an abnormally high current, the machine automatically stops and the main power lamp of the machine blinks in green. In this situation, turn the machine off and stop the application that caused the machine to become overloaded. Then turn the machine on to restart.

#### Overheat protection

When the machine or battery is overheated, the machine stops automatically. When the machine is overheated, the main power lamp of the machine lights up in red. When the battery is overheated, the main power lamp of the machine blinks in red. Let the machine and battery cool down before turning the machine on again.

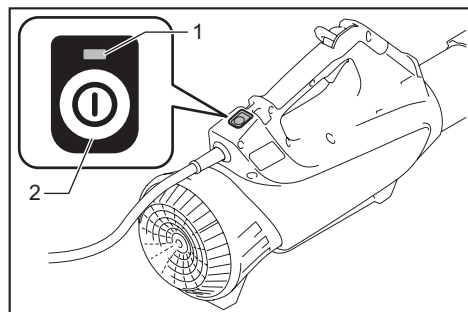
#### Overdischarge protection

When the battery capacity is not enough, the machine stops automatically and the main power lamp of the machine blinks in red. In this case, remove the battery from the machine and charge the battery or change the battery to fully charged one.

### Main power switch

**⚠ WARNING:** Always turn off the main power switch when not in use.

To turn on the machine, press the main power switch. The main power lamp lights up in green. To turn off, press the main power switch again.



► 1. Main power lamp 2. Main power switch

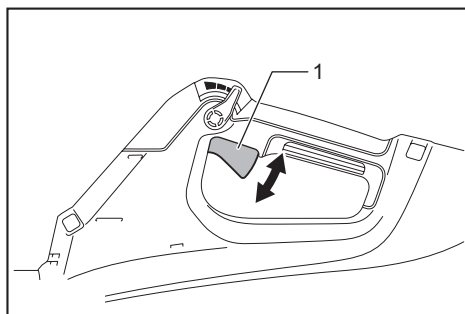
**NOTE:** This machine employs the auto power-off function. To avoid unintentional start up, the main power switch will automatically shut down when the switch trigger is not pulled for a certain period after the main power switch is turned on.

**NOTE:** If you press the main power switch when the control lever is not fully returned to the off position, or while you are pulling the switch trigger, the main power lamp blinks in green. In this case, fully return the control lever, or release the switch trigger, and then press the main power switch.

### Switch action

**⚠ WARNING:** Before connecting the portable power pack to the machine, always check to see that the switch trigger actuates properly and returns to the "OFF" position when released.

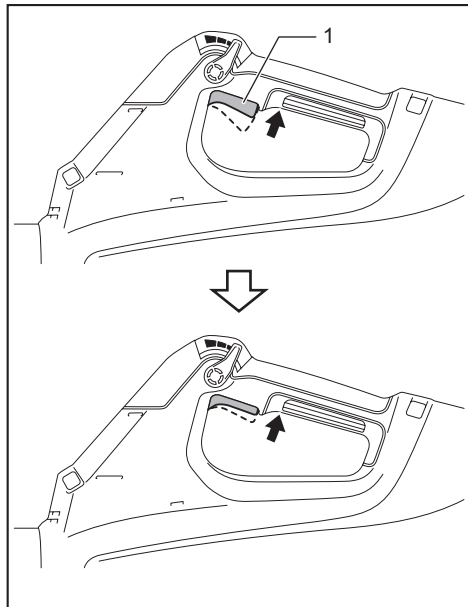
To start the machine, simply pull the switch trigger. The speed increases by increasing pressure on the switch trigger. Release the switch trigger to stop.



► 1. Switch trigger



You can use the machine in the Boost mode. In the Boost mode, the air volume becomes larger than in the normal mode. To use the machine in the Boost mode, pull the switch trigger until the switch trigger stops in the halfway position, and then pull the switch trigger fully.



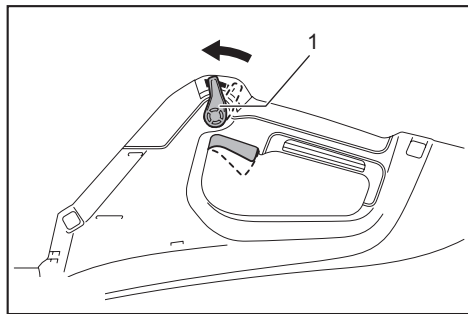
► 1. Switch trigger

**NOTE:** Depending on the usage conditions, use of the Boost mode is restricted to protect the machine. If the main power lamp of the machine blinks in green when you pull the switch trigger fully or while you are using the machine in the Boost mode, the Boost mode is not available.

**NOTE:** The Boost mode is not available by turning the control lever.

## Cruise control function

The cruise control function allows the operator to maintain a constant speed without pulling the trigger. To increase the speed, turn the control lever forward. To decrease the speed, turn the control lever backward.



► 1. Control lever

## Accidental re-start preventive function

Even if you connect the portable power pack to the machine while pulling the switch trigger, the machine does not start. To start the machine, first release the switch trigger and return the control lever fully, and then pull the switch trigger.

## OPERATION

### Connecting the portable power pack

**CAUTION:** When you use the machine in combination of the backpack-type power supply such as portable power pack, use the hanging band included in the machine package or the hanging band recommended by Makita.

If you put on the shoulder harness not recommended by Makita and the shoulder harness of the backpack-type power supply at the same time, removing the machine or backpack-type power supply is difficult in case of an emergency, and it may cause an accident or injury. For the recommended hanging band, ask Makita Authorized Service Centers.

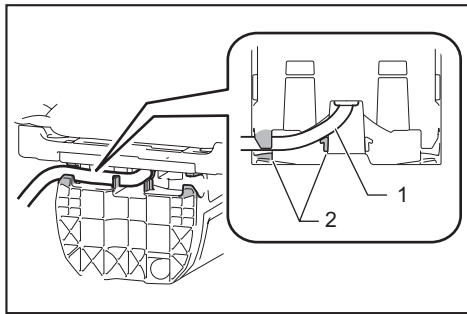
**CAUTION:** Before operation, make sure that the buckles on the waist belt is locked and the machine is securely attached to the hook of the hanging band.

**CAUTION:** To prevent unintentional start up, make sure that the machine and portable power pack are turned off before starting this procedure.

**CAUTION:** Before performing this procedure, finish the adjustments for the waist belt and shoulder harness. Refer to the instruction manual of the portable power pack for details.

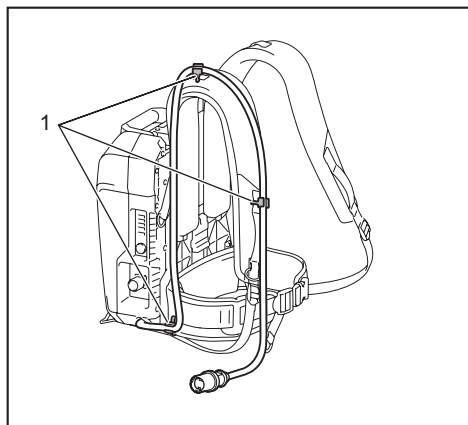
**NOTE:** Before performing this procedure, install the battery cartridge(s) to the portable power pack. Refer to the instruction manual of the portable power pack for details.

1. Pull out the cord from either left or right side of the battery. When pulling out the cord, be sure to set the cord in the holders as shown in the figure.



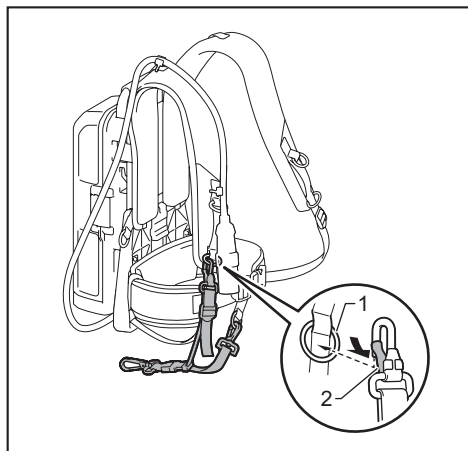
► 1. Cord 2. Holder

2. Attach the cord to the cord holders.



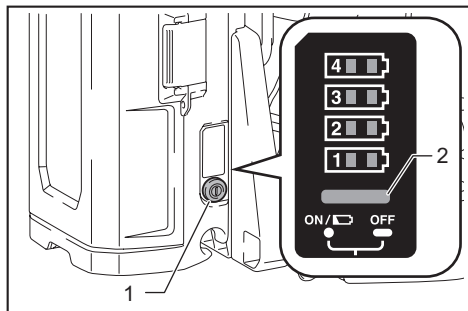
► 1. Cord holder

3. Attach the hooks of the hanging band to the rings of the shoulder harness and waist belt.



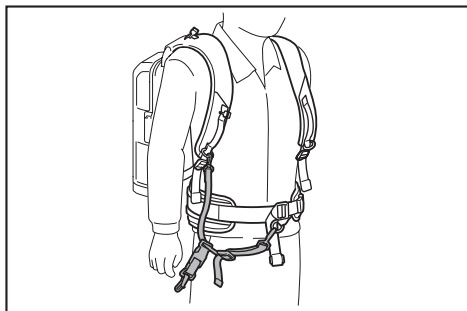
► 1. Ring 2. Hook

4. Press the power button on the portable power pack. The main power lamp will light up.

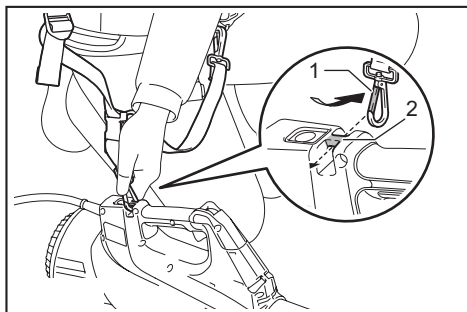


► 1. Power button 2. Main power lamp

5. Wear the shoulder harness of the portable power pack and lock the buckle on the waist belt.

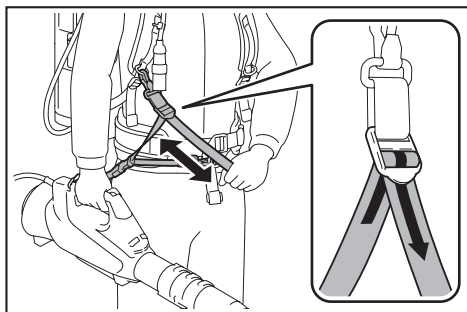


6. Attach the shoulder harness to the machine using the hook on the hanging band. Be sure to hook on the hanger of the machine.



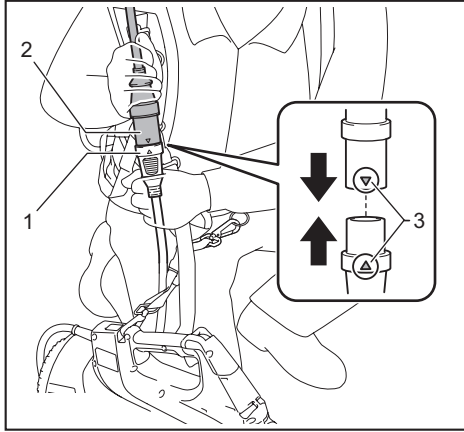
► 1. Hook 2. Hanger

Adjust the length of the hanging band as necessary.



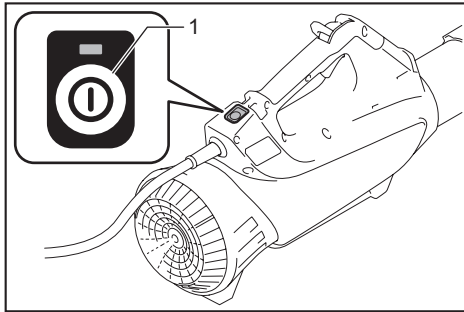
7. Insert the plug of the machine into the socket of the portable power pack.

When inserting, align the triangle marking on both the plug and the socket.



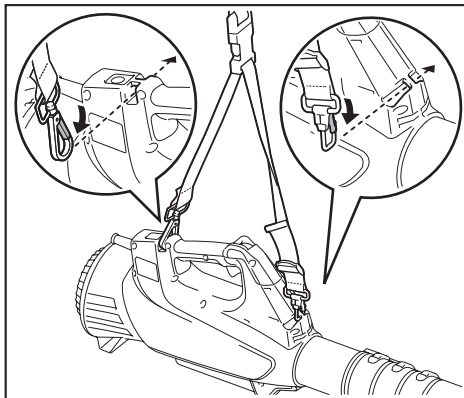
► 1. Plug 2. Socket 3. Triangle marking

8. Press the main power switch to turn on the machine. The machine is ready to operate. The machine will run when you pull the switch trigger.

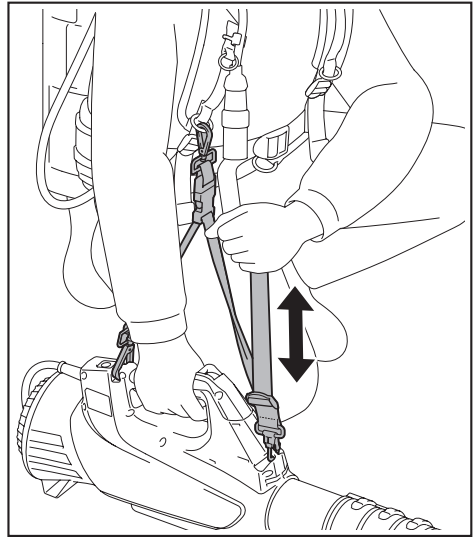


► 1. Main power switch

**NOTE:** You can also use the hanging band as shown in the figure.



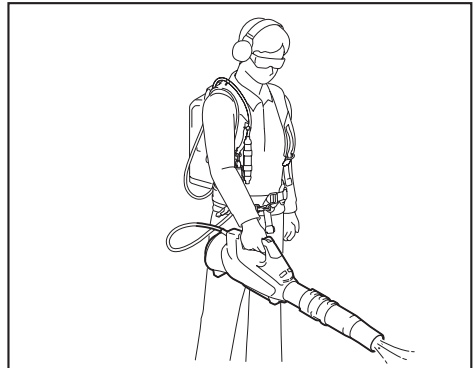
Adjust the length of the hanging band as necessary.



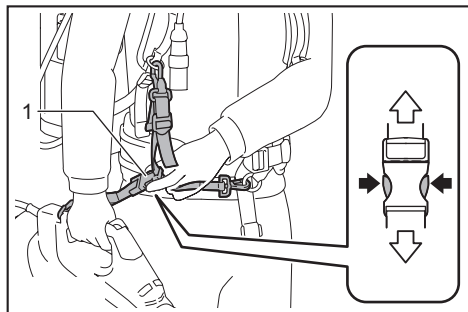
## Blower operation

**CAUTION:** Do not place the machine on the ground while it is switched on. Sand or dust may enter from suction inlet and cause a malfunction or personal injury.

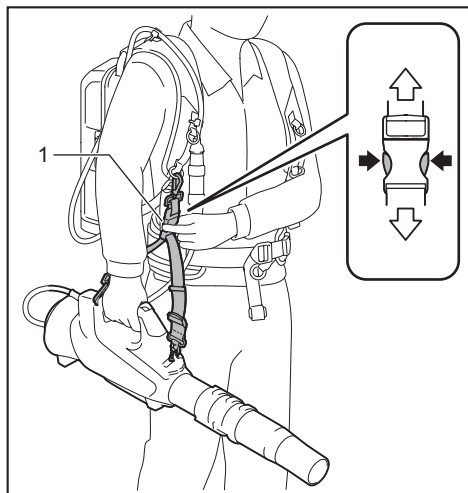
Hold the machine firmly with a hand and perform the blowing operation by moving it around slowly. When blowing around building, big stone or vehicle, direct the nozzle away from them. When performing an operation in a corner, start from the corner and then move to wide area.



When setting down the machine, unlock the buckle on the hanging band with one hand while holding the machine with the other hand.

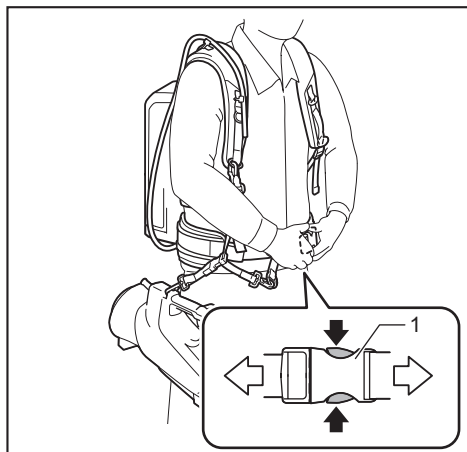


► 1. Buckle



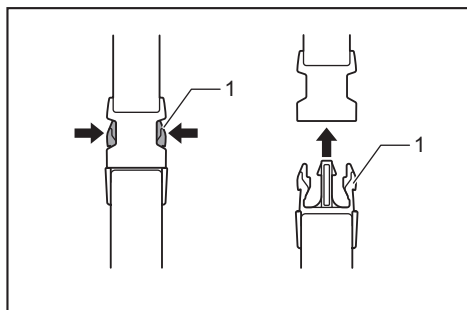
► 1. Buckle

When setting down the machine and the portable power pack at the same time, unlock the buckle on the waist belt, and then set down the machine and the portable power pack.



► 1. Buckle

**NOTE:** When unlocking the buckle, press the claws of the buckle on both sides. When locking the buckle, insert the claws until they are locked.

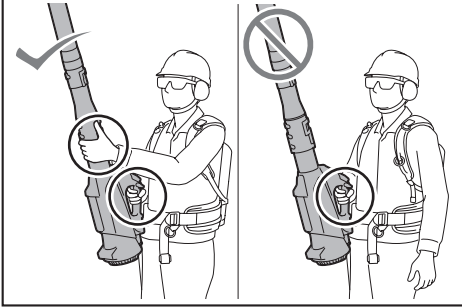


► 1. Claw

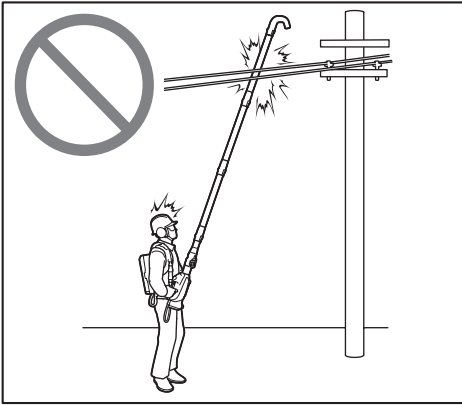
## Using the gutter nozzle set

**⚠ CAUTION:** When using the gutter nozzle set, do not use the machine in the Boost mode. You may lose balance and it may cause an accident since the air volume becomes larger in the Boost mode.

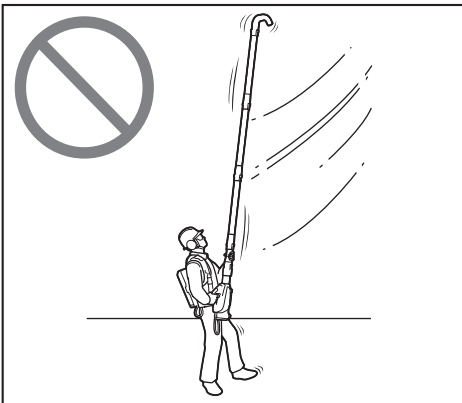
**CAUTION:** When using the gutter nozzle set, do not hold the blower with single hand but with both hands.



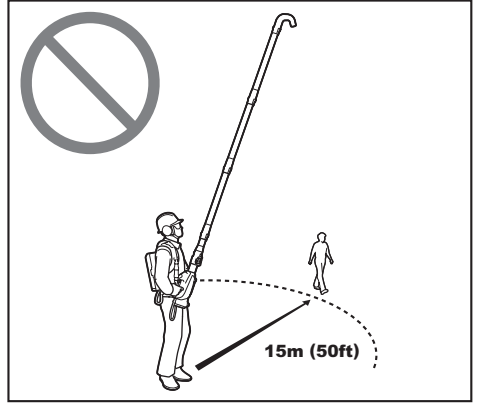
**CAUTION:** Do not use the gutter nozzle set near electric wires.



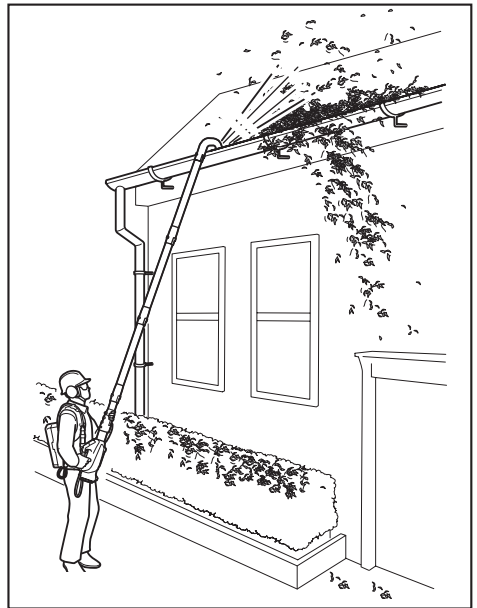
**CAUTION:** Do not use the gutter nozzle set on windy day.



**CAUTION:** When using the gutter nozzle set, keep other people or animal more than 15 m (50 ft) away from the blower.



Hold the blower upright by grabbing the handle of the blower. Place the outlet of the blower on the gutter and then turn on the blower.



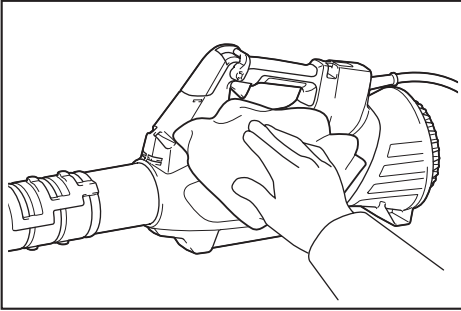
## MAINTENANCE

**CAUTION:** Always be sure that the machine is switched off and the portable power pack is disconnected from the machine before attempting to perform inspection or maintenance.

To maintain product SAFETY and RELIABILITY, repairs, any other maintenance or adjustment should be performed by Makita Authorized or Factory Service Centers, always using Makita replacement parts.

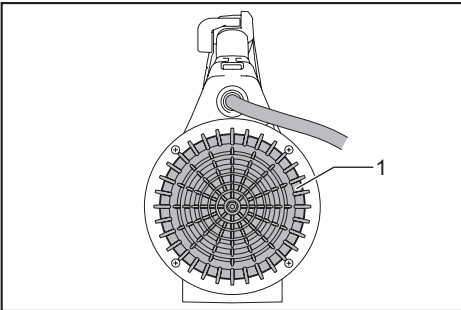
## Cleaning the machine

Clean the machine by wiping off dust with a dry cloth or one dipped in soapy water and wrung out.



**NOTICE:** Never use gasoline, benzine, thinner, alcohol or the like. Discoloration, deformation or cracks may result.

Remove dust or dirt from the suction inlet at the rear of the machine.

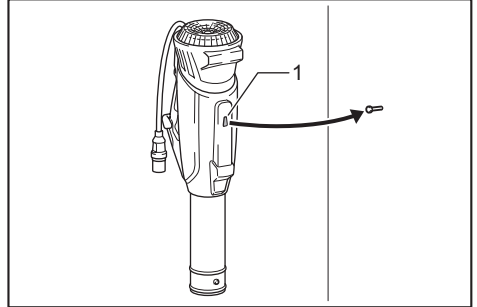


► 1. Suction inlet

## Storage

Before storing the machine, disconnect the portable power pack from the machine, and perform full maintenance. Store the machine in a place out of the reach of children and not exposed to moisture, rain, or direct sunlight.

The hook hole on the bottom of the machine is convenient for hanging the machine from a nail or screw on the wall.



► 1. Hole

# TROUBLESHOOTING

Before asking for repairs, conduct your own inspection first. If you find a problem that is not explained in the manual, do not attempt to dismantle the machine. Instead, ask Makita Authorized Service Centers, always using Makita replacement parts for repairs.

State of abnormality	Probable cause (malfunction)	Remedy
Motor does not run.	Battery is not installed.	Install the battery.
	Battery problem (under voltage)	Recharge the battery. If recharging is not effective, replace battery.
	The drive system does not work correctly.	Ask your local authorized service center for repair.
Motor stops running after a little use.	Battery's charge level is low.	Recharge the battery. If recharging is not effective, replace battery.
	Overheating.	Stop using the machine to allow it to cool down.
The machine does not reach the maximum speed.	Battery is installed improperly.	Install the battery as described in this manual.
	Battery power is dropping.	Recharge the battery. If recharging is not effective, replace battery.
	The drive system does not work correctly.	Ask your local authorized service center for repair.
Abnormal vibration: ⇒ stop the machine immediately!	The drive system does not work correctly.	Ask your local authorized service center for repair.
Motor cannot stop: ⇒ Remove the battery immediately!	Electric or electronic malfunction.	Remove the battery and ask your local authorized service center for repair.

## OPTIONAL ACCESSORIES

**⚠ CAUTION:** These accessories or attachments are recommended for use with your Makita product specified in this manual. The use of any other accessories or attachments might present a risk of injury to persons. Only use accessory or attachment for its stated purpose.

If you need any assistance for more details regarding these accessories, ask your local Makita Service Center.

- Adapter pipe
- Extension nozzle
- Flat nozzle
- Gutter nozzle set
- Band assembly
- Makita genuine battery and charger

**NOTE:** Some items in the list may be included in the product package as standard accessories. They may differ from country to country.

## MAKITA LIMITED WARRANTY

Please refer to the annexed warranty sheet for the most current warranty terms applicable to this product. If annexed warranty sheet is not available, refer to the warranty details set forth at below website for your respective country.

United States of America: [www.makitatools.com](http://www.makitatools.com)

Canada: [www.makita.ca](http://www.makita.ca)

Other countries: [www.makita.com](http://www.makita.com)

## SPÉCIFICATIONS

Modèle :		UB001C
Capacités	Volume d'air	0 - 17,6 m <sup>3</sup> /min (0 - 622 cu.ft./min)
	Vitesse du flux d'air (moyenne)	0 - 58,0 m/s (0 - 130 MPH)
	Vitesse du flux d'air (max.)	0 - 70,0 m/s (0 - 157 MPH)
Longueur hors-tout (avec buse d'extrémité)		960 mm (37-3/4") / 1 010 mm (39-3/4") / 1 060 mm (41-3/4")
Tension nominale		C.C. 36 V - 40 V max.
Poids net		2,6 - 2,9 kg (5,7 - 6,4 lbs)
Degré de protection		IPX4

- Étant donné l'évolution constante de notre programme de recherche et développement, les spécifications contenues dans ce manuel sont sujettes à modification sans préavis.
- Les spécifications peuvent varier suivant les pays.
- Poids selon la procédure EPTA 01/2014

### Support d'alimentation portable applicable

PDC01

**⚠ MISE EN GARDE :** Utilisez exclusivement les supports d'alimentation portables énumérés ci-dessus. L'utilisation de tout autre support d'alimentation portable peut entraîner une blessure et/ou un incendie.

## CONSIGNES DE SÉCURITÉ

### IMPORTANTES CONSIGNES DE SÉCURITÉ

Lors de l'utilisation d'un appareil électrique, vous devez toujours prendre des précautions de base, dont les suivantes :

**LISEZ TOUTES LES INSTRUCTIONS AVANT D'UTILISER CET APPAREIL. MISE EN GARDE : Pour réduire les risques d'incendie, de décharge électrique et de blessure :**

1. Ne vous éloignez pas de l'appareil alors que la batterie y est insérée. Retirez la batterie de l'appareil lorsqu'il n'est pas utilisé et avant de le réparer.
2. Ne l'exposez pas à la pluie. Rangez-le à l'intérieur.

3. Ne laissez pas les enfants l'utiliser comme jouet. Une attention particulière est nécessaire lors de l'utilisation par les enfants ou près d'eux.
4. Utilisez-le uniquement de la façon décrite dans ce manuel. Utilisez uniquement les accessoires recommandés par le fabricant.
5. Ne l'utilisez pas avec une batterie endommagée. Si l'appareil ne fonctionne pas bien, s'il a été échappé, endommagé, laissé à l'extérieur ou échappé dans l'eau, retournez-le à un centre de service après-vente.
6. Ne mettez rien dans les ouvertures. Ne l'utilisez jamais si une des ouvertures est bouchée ; gardez ces dernières exemptes de poussières, charpies, cheveux ou tout objet pouvant réduire la circulation de l'air.
7. Gardez les cheveux, les vêtements amples, les doigts et toute autre partie du corps à l'écart des ouvertures et des pièces mobiles.
8. Soyez tout particulièrement prudent lorsque vous nettoyez sur les marches d'un escalier.
9. Utilisez uniquement le chargeur fourni par le fabricant pour recharger la batterie.

### CONSERVEZ CES INSTRUCTIONS.

Cet appareil est conçu à la fois pour l'usage domestique et pour l'usage commercial.

## Consignes de sécurité pour souffleur à batterie

### Préparatifs

1. Portez toujours des chaussures robustes et des pantalons longs lorsque vous utilisez le souffleur.
2. Ne portez ni vêtements amples ni bijoux susceptibles d'être entraînés dans l'entrée d'air. Gardez les cheveux longs à l'écart des entrées d'air.
3. Portez toujours des lunettes à coques de protection, une casquette et un masque lorsque vous utilisez le souffleur. Les lunettes ordinaires et les lunettes de soleil NE sont PAS des lunettes de sécurité.



4. Le port d'un masque facial est recommandé pour prévenir l'irritation causée par les poussières.
5. Pendant l'utilisation de la machine, portez toujours des chaussures de protection antidérapantes. Des bottes et chaussures de sécurité antidérapantes et fermées réduiront le risque de blessure.
6. Inspectez le cordon avant d'utiliser la machine. Si le cordon est endommagé, demandez à votre centre de service après-vente Makita agréé de le réparer.
14. N'insérez ni les doigts ni aucun objet dans l'entrée d'aspiration ou dans la sortie de souffleur.
15. Prévenez le démarrage accidentel. Assurez-vous que l'interrupteur est en position d'arrêt avant d'insérer la batterie et avant de saisir ou de transporter le souffleur. Transporter le souffleur avec le doigt sur l'interrupteur ou le mettre sous tension alors que son interrupteur est en position de marche ouvre la porte aux accidents.

#### Utilisation

1. N'utilisez jamais le souffleur lorsque d'autres personnes — et tout particulièrement des enfants — ou des animaux domestiques se trouvent à proximité.
2. Éteignez le souffleur, retirez la batterie et assurez-vous de l'arrêt complet de toutes les pièces mobiles
  - chaque fois que vous vous éloignez du souffleur.
  - avant de retirer les objets bloqués;
  - avant d'inspecter le souffleur, de le nettoyer ou de travailler dessus;
  - si le souffleur se met à vibrer de manière anormale.
3. N'utilisez le souffleur qu'à la lumière du jour ou avec une bonne lumière artificielle.
4. Ne tendez pas trop les bras et maintenez en tout temps une bonne prise au sol et un bon équilibre.
5. Ne soufflez jamais les débris vers les personnes présentes.
6. Utilisez le souffleur avec la posture recommandée et sur une surface ferme.
7. N'utilisez pas le souffleur dans des emplacements élevés.
8. Pendant l'utilisation du souffleur, ne pointez jamais la buse vers une personne se trouvant à proximité.
9. Ne bloquez jamais l'entrée d'aspiration et/ou la sortie de souffleur.
  - Prenez garde de bloquer l'entrée d'aspiration ou la sortie de souffleur avec des poussières ou saletés lors de l'utilisation dans une zone poussiéreuse.
  - N'utilisez pas d'autres buses que celles fournies par Makita.
  - N'utilisez pas le souffleur pour gonfler des ballons, des canots pneumatiques ou objets similaires.
10. N'utilisez pas le souffleur près des fenêtres ouvertes, etc.
11. Il est recommandé de n'utiliser le souffleur qu'à des heures raisonnables - pas tôt le matin ou tard le soir, lorsque les gens pourraient être dérangés.
12. Il est recommandé d'utiliser des râtaux et des balais pour dégager les débris avant de souffler.
13. Si le souffleur heurte un corps étranger ou commence à émettre des bruits ou vibrations inhabituels, éteignez immédiatement le souffleur pour l'arrêter. Retirez la batterie du souffleur et inspectez-le pour vérifier l'absence de dommages avant de le redémarrer et de l'utiliser. Si le souffleur est endommagé, demandez à votre centre de service après-vente Makita agréé de le réparer.
16. Ne soufflez jamais des matériaux dangereux, tels que des clous, des fragments de verre ou des lames.
17. N'utilisez pas le souffleur près de matériaux inflammables.
18. Évitez d'utiliser le souffleur pendant une période prolongée dans un environnement à basse température.
19. Assurez-vous toujours d'être bien campé dans les pentes.
20. N'utilisez pas la machine lorsqu'il y a un risque d'éclair.
21. Lorsque vous utilisez la machine sur un sol boueux, une pente mouillée ou un emplacement glissant, prêtez attention à la stabilité de votre position.
22. Évitez de travailler dans un environnement médiocre qui risque fortement d'entraîner une fatigue accrue de l'utilisateur.
23. N'utilisez pas la machine par mauvais temps, la visibilité étant réduite. Autrement vous risquez de provoquer une chute ou une utilisation incorrecte en raison d'une mauvaise visibilité.
24. N'immergez pas la machine dans une flaque d'eau.
25. Lorsque des feuilles mouillées ou des saletés adhèrent à la bouche d'aspiration (fenêtre de ventilation) à cause de la pluie, retirez-les.

#### Entretien et remisage

1. Assurez-vous que tous les écrous, boulons et vis sont bien serrés pour garantir un fonctionnement sécuritaire du souffleur.
2. Si des pièces sont usées ou endommagées, remplacez-les avec des pièces fournies par Makita.
3. Remisez le souffleur dans un endroit sec, hors de la portée des enfants.
4. Lorsque vous arrêtez le souffleur pour inspection, réparation, remisage ou changement d'accessoire, éteignez-le et assurez-vous que toutes les pièces mobiles s'arrêtent complètement, et retirez la batterie. Laissez refroidir le souffleur avant d'effectuer tout travail dessus. Entretenez soigneusement le souffleur et gardez-le propre.
5. Laissez toujours refroidir le souffleur avant de le remiser.
6. Lorsque vous soulevez le souffleur, veillez à plier les genoux et prenez garde de vous blesser au dos.
7. N'abandonnez pas la machine à l'extérieur sous la pluie.
8. Ne lavez pas la machine avec de l'eau sous haute pression.

9. Lorsque vous remisez la machine, évitez la lumière directe du soleil et la pluie, et mettez-la dans un emplacement où elle ne sera pas chaude ou humide.
10. Effectuez l'inspection ou l'entretien dans un emplacement où la pluie peut être évitée.
11. Après avoir utilisé la machine, retirez la saleté collée et séchez complètement la machine avant de la ranger. Selon la saison ou la zone, il existe un risque de dysfonctionnement dû au gel.
12. Ne saisissez pas ou ne transportez pas la machine uniquement par le cordon.
10. L'entretien doit être confié à un réparateur qualifié et n'utilisant que des pièces de rechange identiques aux pièces d'origine. Cela assurera le maintien du produit dans un état sécuritaire.
11. Ne modifiez pas et n'essayez pas de réparer la machine ou la batterie autrement que tel qu'indiqué dans les instructions d'utilisation et d'entretien.

#### Consignes de sécurité concernant l'alimentation électrique et la batterie

#### Utilisation et entretien de l'outil à batterie

1. **Prévenez le démarrage accidentel. Assurez-vous que l'interrupteur est en position d'arrêt avant de connecter la machine à la batterie, de la saisir ou de la transporter.** Transporter la machine avec le doigt sur l'interrupteur ou la mettre sous tension alors que son interrupteur est en position de marche ouvre la porte aux accidents.
2. **Retirez la batterie de la machine avant de procéder à des réglages, au remplacement d'accessoires ou au rangement de la machine.** De telles mesures de sécurité préventives réduisent le risque de démarrage accidentel de la machine.
3. **Ne la rechargez qu'avec le chargeur spécifié par le fabricant.** Un chargeur conçu pour un certain type de batterie risque de déclencher un incendie s'il est utilisé avec une autre batterie.
4. **N'utilisez les machines qu'avec leurs batteries spécifiques.** Les autres batteries risqueraient de vous blesser ou de provoquer un incendie.
5. **Lorsque la batterie n'est pas utilisée, tenez-la à distance des objets métalliques tels que trombones, pièces de monnaie, clés, clous, vis ou autres petits objets métalliques, conducteurs potentiels entre une borne et une autre.** Un court-circuit entre les bornes de la batterie peut provoquer des brûlures ou un incendie.
6. **Dans des conditions d'utilisation inadéquates de la batterie, il peut y avoir fuite d'électrolyte; évitez tout contact.** En cas de contact accidentel, rincez avec beaucoup d'eau. Si du liquide entre en contact avec les yeux, consultez un médecin. Le liquide qui gicle de la batterie peut provoquer des irritations ou des brûlures.
7. **N'utilisez pas une batterie ou une machine endommagée ou modifiée.** Les batteries endommagées ou modifiées peuvent se comporter de manière imprévisible et entraîner un incendie, une explosion ou un risque de blessure.
8. **N'exposez pas une batterie ou une machine au feu ou à une température excessive.** L'exposition au feu ou à une température supérieure à 130 °C (265 °F) peut provoquer une explosion.
9. **Suivez toutes les instructions de charge et ne chargez pas la batterie ou la machine à l'extérieur de la plage de température spécifiée dans les instructions.** Effectuer la charge de manière inadéquate ou à une température hors de la plage spécifiée peut endommager la batterie et faire augmenter le risque d'incendie.
1. **Ne jetez pas la/les batterie(s) au feu.** L'élément pourrait exploser. Vérifiez la réglementation de votre région pour savoir s'il existe des directives particulières sur l'élimination.
2. **N'ouvrez pas et n'endommagez pas la/les batterie(s).** L'électrolyte qui s'échappe est corrosif et peut provoquer des dommages aux yeux ou à la peau. Il peut être toxique s'il est ingéré.
3. **Ne chargez pas la batterie sous la pluie ou dans les emplacements humides.**
4. **Ne chargez pas la batterie à l'extérieur.**
5. **Ne manipulez pas le chargeur, y compris sa fiche et ses bornes, avec les mains mouillées.**
6. **Ne remplacez pas la batterie sous la pluie.**
7. **Ne mouillez pas la borne de la batterie avec du liquide tel que de l'eau, et n'immergez pas la batterie.** Ne laissez pas la batterie sous la pluie, et évitez de la charger, de l'utiliser ou de la remiser dans un emplacement humide ou mouillé. Si la borne est mouillée ou si du liquide pénètre à l'intérieur de la batterie, celle-ci peut être court-circuitée et il y a risque de surchauffe, d'incendie ou d'explosion.
8. **Après avoir retiré la batterie de la machine ou du chargeur, veillez à fixer le couvercle de batterie à la batterie et rangez-la dans un emplacement sec.**
9. **Ne remplacez pas la batterie avec les mains mouillées.**
10. **Si la batterie est mouillée, vidangez l'eau présente à l'intérieur puis essuyez la batterie avec un linge sec.** Avant d'utiliser la batterie, laissez-la sécher complètement dans un emplacement sec.

#### Réparation

1. **Faites réparer votre outil électrique par un réparateur qualifié qui utilise des pièces de rechange identiques aux pièces d'origine.** Le maintien de la sûreté de l'outil électrique sera ainsi assuré.
2. **N'essayez jamais de réparer les batteries endommagées.** La réparation des batteries ne doit être effectuée que par le fabricant ou par un fournisseur de service après-vente agréé.

## CONSERVEZ CES INSTRUCTIONS.

**⚠ MISE EN GARDE** : NE vous laissez PAS tromper (au fil d'une utilisation répétée) par un sentiment d'aisance ou de familiarité avec le produit en négligeant les consignes de sécurité qui accompagnent le produit.

UNE UTILISATION INCORRECTE ou le non-respect des règles de sécurité énoncées dans le présent manuel d'instructions peut provoquer des blessures graves.

**⚠ MISE EN GARDE** : L'utilisation de ce produit peut générer des poussières contenant des substances chimiques, lesquelles peuvent causer des problèmes respiratoires ou autres maladies. Parmi ces substances chimiques figurent les composés que l'on retrouve dans les pesticides, insecticides, fertilisants et herbicides.

Les risques liés à l'exposition varient suivant la fréquence d'exécution du type de travail en question. Pour réduire votre exposition à ces substances chimiques : travaillez dans un emplacement bien aéré et avec des dispositifs de sécurité approuvés, tels que les masques antipoussières spécialement conçus pour filtrer les particules microscopiques.

## Symboles

Les symboles utilisés pour l'outil sont indiqués ci-dessous.

V	volts
—	courant continu

## Consignes de sécurité importantes pour la batterie

1. Avant d'utiliser la batterie, lisez toutes les instructions et les mises en garde apposées sur (1) le chargeur de batterie, (2) la batterie et (3) le produit utilisant la batterie.
2. Ne démontez pas et ne modifiez pas la batterie. Cela peut entraîner un incendie, une chaleur excessive ou une explosion.
3. Cessez immédiatement l'utilisation si le temps de fonctionnement devient excessivement court. Il y a risque de surchauffe, de brûlures, voire d'explosion.
4. Si l'électrolyte pénètre dans vos yeux, rincez-les à l'eau claire et consultez immédiatement un médecin. Il y a risque de perte de la vue.
5. Ne court-circuitez pas la batterie :
  - (1) Ne touchez les bornes avec aucun matériau conducteur.
  - (2) Évitez de ranger la batterie dans un conteneur avec d'autres objets métalliques tels que clous, pièces de monnaie, etc.
  - (3) Évitez d'exposer la batterie à l'eau ou à la pluie.

Un court-circuit de la batterie pourrait provoquer un fort courant, une surchauffe, parfois des brûlures et même une panne.

6. Ne rangez pas et n'utilisez pas l'outil ou la batterie dans des emplacements où la température peut atteindre ou dépasser 50 °C (122 °F).
7. Ne jetez pas la batterie au feu même si elle est sérieusement endommagée ou complètement épuisée. La batterie peut exploser au contact du feu.
8. Évitez de clouer, de couper, d'écraser, de lancer ou d'échapper la batterie, ou de heurter un objet dur contre la batterie. Cela peut entraîner un incendie, une chaleur excessive ou une explosion.
9. N'utilisez pas une batterie si elle est endommagée.
10. Les batteries lithium-ion fournies sont soumises aux exigences de la législation sur les marchandises dangereuses. Des exigences particulières sur l'emballage et l'étiquetage doivent être respectées lors du transport commercial par des tiers, des transitaires, etc. Pour préparer la marchandise à expédier, consultez un expert en matériaux dangereux si nécessaire. Respectez aussi les éventuelles réglementations nationales plus détaillées. Recouvrez de ruban isolant les contacts exposés, et emballez la batterie de sorte qu'elle ne puisse pas se déplacer à l'intérieur de l'emballage.
11. Lors de l'élimination de la batterie, retirez-la de l'outil et éliminez-la dans un endroit sûr. Respectez la réglementation locale concernant l'élimination de la batterie.
12. N'utilisez les batteries qu'avec les produits spécifiés par Makita. Installer les batteries sur des produits non conformes peut entraîner un incendie, une chaleur excessive, une explosion ou une fuite d'électrolyte.
13. Si l'outil reste inutilisé pour une période prolongée, la batterie doit en être retirée.
14. Pendant et après l'utilisation, la batterie peut accumuler de la chaleur, ce qui peut causer des brûlures ou des brûlures à basse température. Faites attention lors de la manipulation des batteries chaudes.
15. Ne touchez pas la borne de l'outil immédiatement après l'utilisation, car elle peut être assez chaude pour causer des brûlures.
16. Ne laissez pas les copeaux, les poussières ou la terre se coincer dans les bornes, les trous et les rainures de la batterie. Cela peut entraîner un fonctionnement médiocre ou une panne de l'outil ou de la batterie.
17. À moins que l'outil ne soit compatible avec l'utilisation à proximité des lignes électriques haute tension, n'utilisez pas la batterie à proximité d'une ligne électrique haute tension. Cela peut entraîner un dysfonctionnement ou une panne de l'outil ou de la batterie.
18. Gardez la batterie à l'écart des enfants.

## CONSERVEZ CES INSTRUCTIONS.

**ATTENTION** : Utilisez exclusivement les batteries fabriquées par Makita. Les batteries autres que celles fabriquées par Makita ou les batteries modifiées peuvent exploser et causer un incendie, une blessure ou des dommages. Cela annule aussi la garantie Makita de l'outil et du chargeur Makita.

## Conseils pour maintenir la durée de service maximale de la batterie

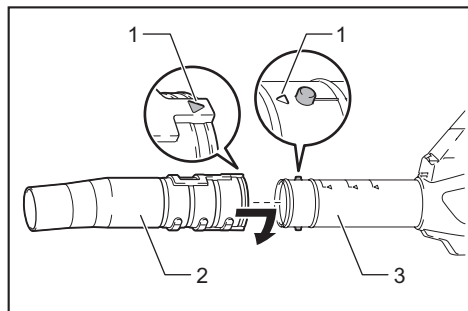
1. Rechargez la batterie avant qu'elle ne soit complètement déchargée. Arrêtez toujours l'outil et rechargez la batterie quand vous remarquez que la puissance de l'outil diminue.
2. Ne rechargez jamais une batterie complètement chargée. La surcharge réduit la durée de service de la batterie.
3. Chargez la batterie à une température ambiante comprise entre 10 °C et 40 °C (50 °F et 104 °F). Si la batterie est chaude, laissez-la refroidir avant de la charger.
4. Lorsque vous n'utilisez pas la batterie, retirez-la de l'outil ou du chargeur.
5. Chargez la batterie si elle est restée inutilisée pendant une période prolongée (plus de six mois).

## ASSEMBLAGE

**ATTENTION** : Assurez-vous toujours que la machine est éteinte et que le support d'alimentation portable est déconnecté de la machine avant d'effectuer toute opération sur la machine.

### Pose de la buse d'extrémité

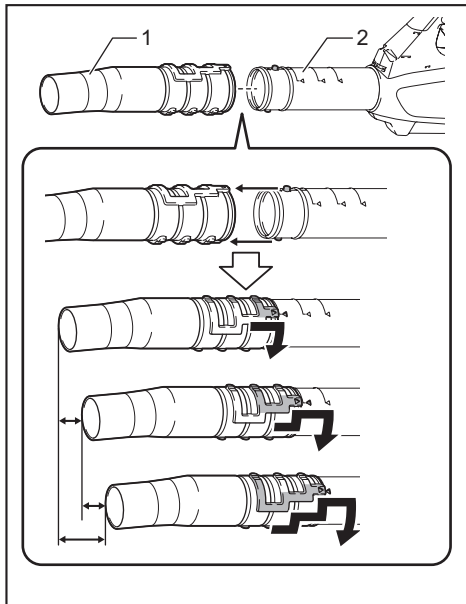
Alignez la marque triangulaire de la buse d'extrémité sur la marque triangulaire du tuyau avant, fixez la buse d'extrémité au tuyau avant, puis tournez la buse d'extrémité pour la verrouiller en place. Installez la buse d'extrémité de sorte que le bout de la buse soit orienté vers le bas. Suivant l'environnement de travail, vous pouvez installer la buse d'extrémité de sorte que le bout de la buse soit orienté vers le haut.



► 1. Marque triangulaire 2. Buse d'extrémité 3. Tuyau avant

Pour retirer la buse d'extrémité, effectuez la procédure d'installation en sens inverse.

**NOTE** : La longueur de la buse peut être modifiée en déplaçant la buse tel qu'illustré sur la figure.

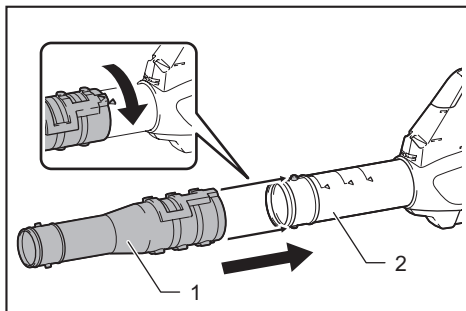


► 1. Buse d'extrémité 2. Tuyau avant

### Pose de la buse plate ou de la buse de rallonge

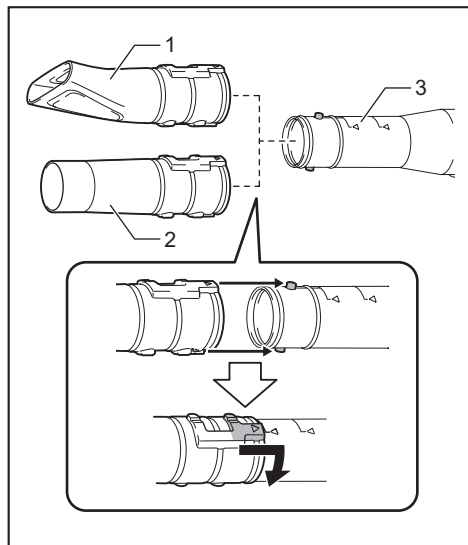
#### Accessoire en option

1. Alignez la rainure du tuyau adaptateur sur la partie saillante du tuyau avant, puis fixez le tuyau adaptateur au tuyau avant et tournez-le pour le verrouiller en place.



► 1. Tuyau adaptateur 2. Tuyau avant

2. Alignez la rainure de la buse plate ou de la buse de rallonge sur la partie saillante du tuyau adaptateur, puis fixez la buse plate ou la buse de rallonge au tuyau adaptateur et tournez-la pour la verrouiller en place.



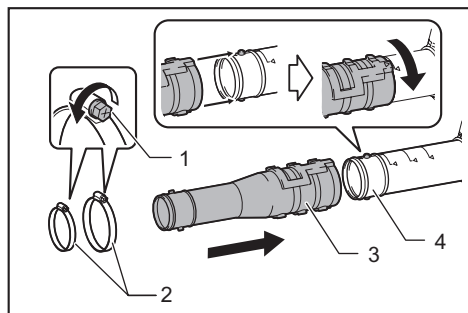
► 1. Embout plat 2. Rallonge d'embout 3. Tuyau adaptateur

## Pose de l'ensemble de buse pour gouttière

### Accessoire en option

1. Alignez la rainure du tuyau adaptateur sur la partie saillante du tuyau avant, puis fixez le tuyau adaptateur au tuyau avant et tournez-le pour le verrouiller en place.

Insérez le tuyau adaptateur à fond, de sorte que la partie saillante pénètre dans la rainure la plus profonde du tuyau adaptateur.

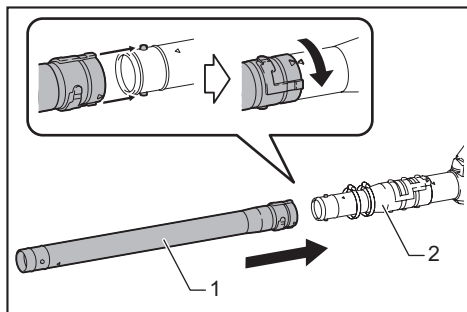


► 1. Vis 2. Collier de serrage du tuyau 3. Tuyau adaptateur 4. Tuyau avant

2. Desserrez les vis des colliers de serrage du tuyau, faites passer le grand collier de serrage du tuyau à travers le tuyau adaptateur, puis faites passer le petit collier de serrage du tuyau.

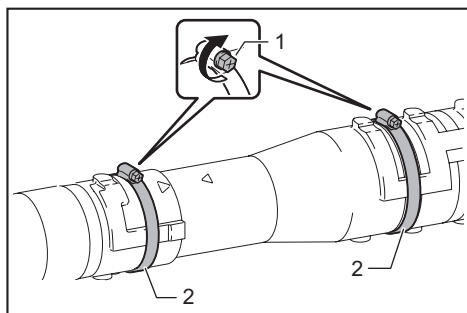
3. Connectez le tuyau de rallonge au tuyau adaptateur.

Alignez la rainure du tuyau de rallonge sur la partie saillante du tuyau adaptateur, puis faites glisser le tuyau de rallonge le long de sa rainure de sorte que les marques triangulaires soient alignées l'une sur l'autre.



► 1. Tuyau de rallonge 2. Tuyau adaptateur

4. Placez les colliers de serrage du tuyau sur les rainures tel qu'illustré, et serrez les vis.

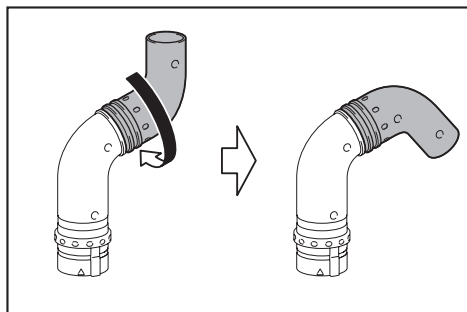


► 1. Vis 2. Collier de serrage du tuyau

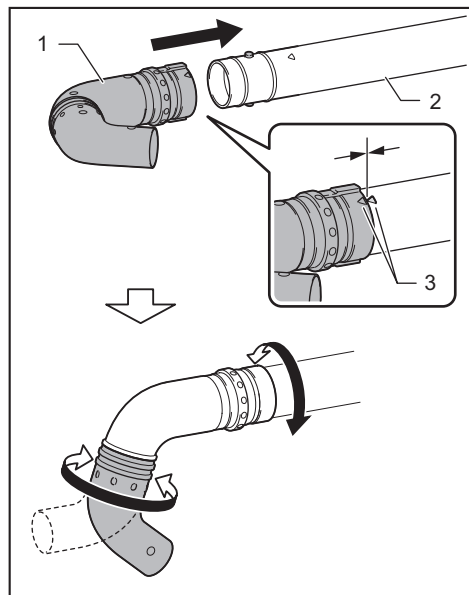
5. Selon la hauteur d'exécution du travail, connectez le reste des tuyaux de rallonge au tuyau de rallonge déjà fixé.

**ATTENTION** : Ne fixez pas le tuyau de rallonge si la longueur totale, souffleur compris, dépasse 4 m (14 ft).

6. Tournez la sortie de la buse d'extrémité tel qu'illustré sur la figure.

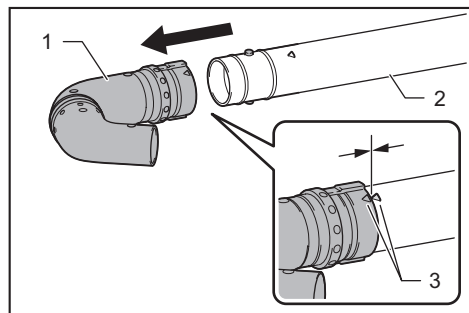


7. Connectez la buse d'extrémité au tuyau de rallonge. Lors de la connexion, alignez la marque triangulaire de la buse d'extrémité et du tuyau de rallonge, puis enfoncez la buse d'extrémité jusqu'à ce qu'elle s'enclenche. Ensuite, tournez la buse d'extrémité jusqu'à une position adéquate pour le travail à effectuer.



► 1. Buse d'extrémité 2. Tuyau de rallonge 3. Marque triangulaire

Lors du retrait de la buse d'extrémité, alignez les marques triangulaires de la buse d'extrémité et du tuyau de rallonge, puis tirez sur la buse d'extrémité pour la retirer du tuyau de rallonge.



► 1. Buse d'extrémité 2. Tuyau de rallonge 3. Marque triangulaire

## DESCRIPTION DU FONCTIONNEMENT

**⚠ ATTENTION :** Assurez-vous toujours que la machine est éteinte et que le support d'alimentation portable est déconnecté de la machine avant de régler ou de vérifier le fonctionnement de la machine.

### Dispositif de protection de la machine et de la batterie

La machine est équipée d'un dispositif de protection de la machine et de la batterie. Ce dispositif coupe automatiquement l'alimentation du moteur pour prolonger la durée de service de la machine et de la batterie. La machine s'arrêtera automatiquement pendant l'utilisation si la machine ou la batterie se trouve dans l'une ou l'autre des situations suivantes :

#### Protection contre la surcharge

Lorsque la machine ou la batterie est utilisée d'une façon qui lui fait consommer un courant anormalement élevé, la machine s'arrête automatiquement et le témoin d'alimentation secteur de la machine clignote en vert. Dans ce cas, éteignez la machine et arrêtez l'application qui entraîne une surcharge de la machine. Allumez ensuite la machine pour redémarrer.

#### Protection contre la surchauffe

Lorsque la machine ou la batterie est surchauffée, la machine s'arrête automatiquement. Lorsque la machine surchauffe, le témoin d'alimentation secteur de la machine s'allume en rouge. Lorsque la batterie surchauffe, le témoin d'alimentation secteur de la machine clignote en rouge. Laissez refroidir la machine et la batterie avant de rallumer la machine.

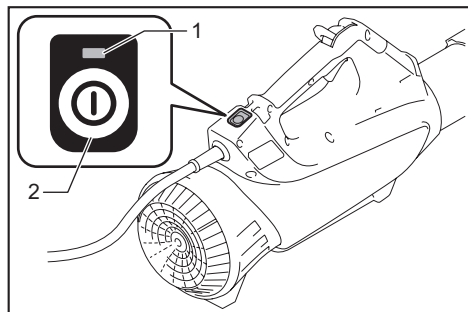
#### Protection contre la décharge excessive

Lorsque la charge de la batterie est insuffisante, la machine s'arrête automatiquement et le témoin d'alimentation secteur de la machine clignote en rouge. Le cas échéant, retirez la batterie de la machine et chargez-la ou remplacez-la par une batterie complètement chargée.

### Interrupteur d'alimentation secteur

**⚠ MISE EN GARDE :** Mettez toujours l'interrupteur d'alimentation secteur en position d'arrêt lorsque vous n'utilisez pas l'outil.

Pour allumer la machine, appuyez sur l'interrupteur d'alimentation principale. Le témoin d'alimentation secteur s'allume en vert. Pour couper le contact, appuyez de nouveau sur l'interrupteur d'alimentation secteur.



► 1. Témoin d'alimentation secteur 2. Interrupteur d'alimentation secteur

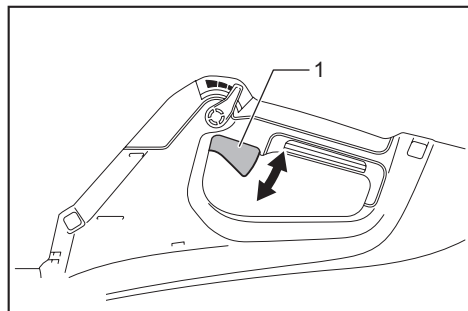
**NOTE :** Cette machine utilise une fonction de mise hors tension automatique. Pour éviter les démarrages accidentels, l'alimentation est coupée automatiquement si la gâchette reste non enfoncée pendant un certain temps après avoir mis l'interrupteur d'alimentation principale en position de marche.

**NOTE :** Si vous appuyez sur l'interrupteur d'alimentation secteur alors que le levier de commande n'est pas revenu parfaitement sur la position d'arrêt ou pendant que vous appuyez sur la gâchette, le témoin d'alimentation secteur clignote en vert. Le cas échéant, ramenez complètement le levier de commande ou libérez la gâchette, puis appuyez sur l'interrupteur d'alimentation secteur.

## Interrupteur

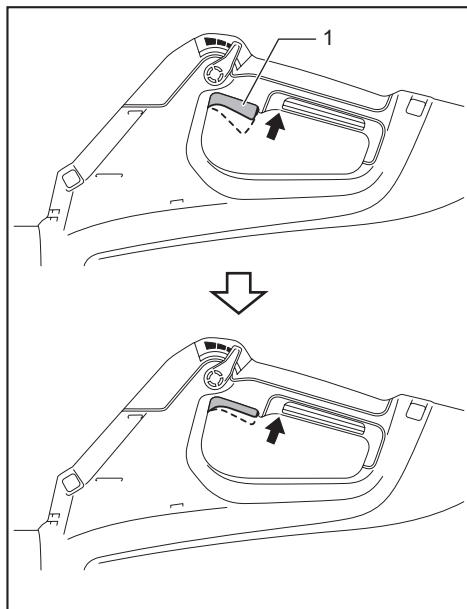
**⚠ MISE EN GARDE :** Avant de connecter le support d'alimentation portable à la machine, assurez-vous toujours que la gâchette fonctionne correctement et revient en position « OFF » (arrêt) une fois libérée.

Pour démarrer la machine, appuyez simplement sur la gâchette. La vitesse augmente à mesure que l'on augmente la pression sur la gâchette. Pour arrêter, libérez la gâchette.



► 1. Gâchette

Vous pouvez utiliser la machine en mode Amplifié. En mode Amplifié, le volume d'air est plus grand qu'en mode normal. Pour utiliser la machine en mode Amplifié, appuyez sur la gâchette jusqu'à ce qu'elle s'arrête à mi-course, puis enfoncez-la complètement.



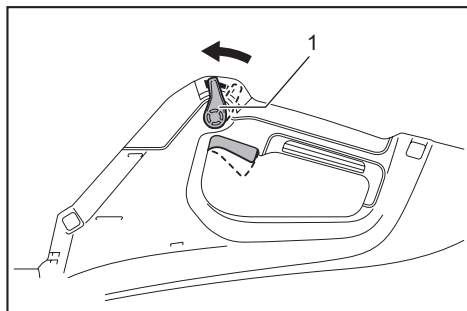
► 1. Gâchette

**NOTE :** Dans certaines conditions d'utilisation, l'utilisation du mode Amplifié est restreinte pour protéger la machine. Si le témoin d'alimentation secteur de la machine clignote en vert lorsque vous enfoncez complètement la gâchette ou pendant que vous utilisez la machine en mode Amplifié, cela signifie que le mode Amplifié n'est pas disponible.

**NOTE :** Le mode Amplifié n'est pas disponible en tournant le levier de commande.

## Fonction de régulateur de vitesse

La fonction de régulateur de vitesse permet à l'utilisateur de maintenir une vitesse constante sans appuyer sur la gâchette. Pour augmenter la vitesse, tournez le levier de commande vers l'avant. Pour réduire la vitesse, tournez le levier de commande vers l'arrière.



► 1. Levier de commande

## Fonction de prévention du redémarrage accidentel

Même si vous connectez le support d'alimentation portable à la machine pendant que vous appuyez sur la gâchette, la machine ne démarrera pas. Pour démarrer la machine, libérez d'abord la gâchette et ramenez complètement le levier de commande, puis appuyez sur la gâchette.

## UTILISATION

### Connexion du support d'alimentation portable

**ATTENTION** : Lorsque vous utilisez la machine en combinaison avec une source d'alimentation de type sac à dos telle qu'un support d'alimentation portable, utilisez la bande de suspension comprise dans l'emballage de la machine ou la bande de suspension recommandée par Makita.

Si vous mettez en même temps une sangle d'épaule non recommandée par Makita et la sangle d'épaule d'une source d'alimentation de type sac à dos, il sera difficile d'enlever la machine ou la source d'alimentation de type sac à dos en cas d'urgence, et cela peut entraîner un accident ou une blessure. Au sujet de la bande de suspension recommandée, informez-vous auprès d'un centre de service après-vente agréé Makita.

**ATTENTION** : Avant l'utilisation, assurez-vous que la boucle de la ceinture de taille est verrouillée et que la machine est bien fixée au crochet de la bande de suspension.

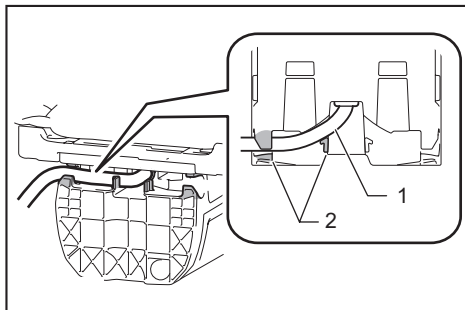
**ATTENTION** : Pour prévenir le démarrage accidentel, assurez-vous que la machine et le support d'alimentation portable sont éteints avant de commencer cette procédure.

**ATTENTION** : Avant d'effectuer cette procédure, terminez les réglages de la ceinture de taille et de la sangle d'épaule. Reportez-vous au manuel d'instructions du support d'alimentation portable pour plus de détails.

**NOTE** : Avant d'effectuer cette procédure, installez la (les) batterie(s) sur le support d'alimentation portable. Reportez-vous au manuel d'instructions du support d'alimentation portable pour plus de détails.

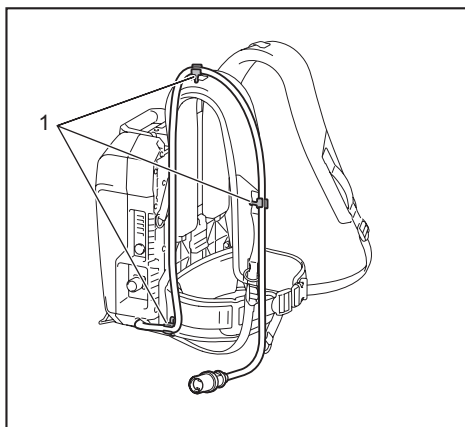
1. Sortez le cordon du côté gauche ou droit de la batterie.

En sortant le cordon, veillez à le placer dans les supports tel qu'indiqué sur la figure.



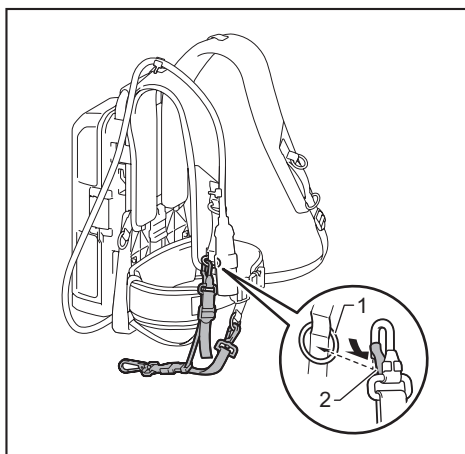
► 1. Cordon 2. Support

2. Fixez le cordon aux supports de cordon.



► 1. Support de cordon

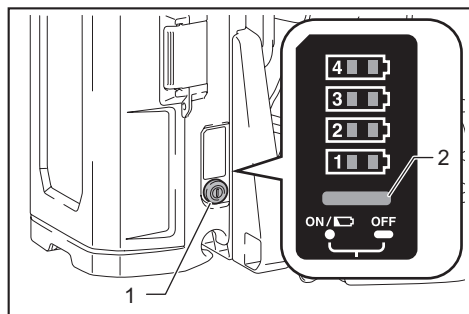
3. Fixez les crochets de la bande de suspension aux anneaux de la sangle d'épaule et de la ceinture de taille.



► 1. Anneau 2. Crochet

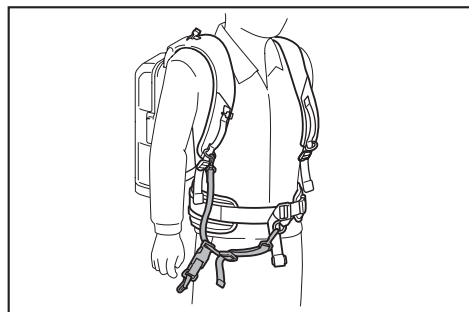


4. Appuyez sur le bouton d'alimentation du support d'alimentation portable. Le témoin d'alimentation principale s'allumera.

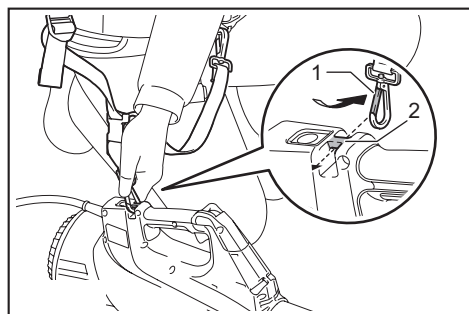


► 1. Bouton d'alimentation 2. Témoin d'alimentation principale

5. Portez la sangle d'épaule du support d'alimentation portable et verrouillez la boucle de la ceinture de taille.

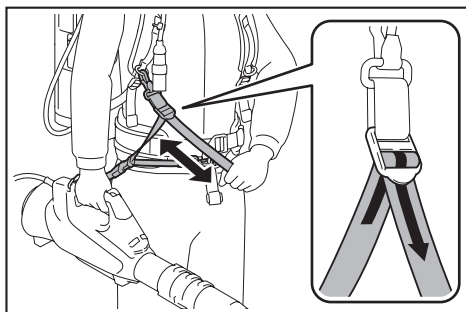


6. Fixez la sangle d'épaule à la machine à l'aide du crochet de la bande de suspension. Veillez à l'accrocher à l'attache de la machine.



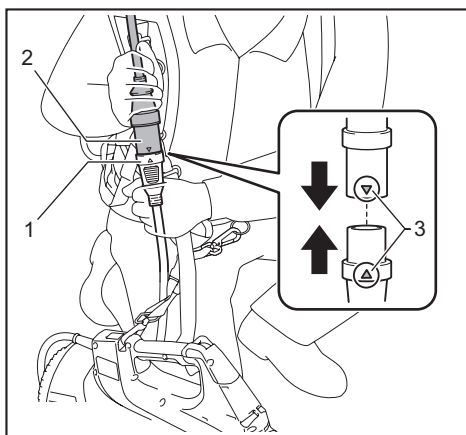
► 1. Crochet 2. Attache

Si nécessaire, réglez la longueur de la bande de suspension.



7. Insérez la fiche de la machine dans la prise du support d'alimentation portable.

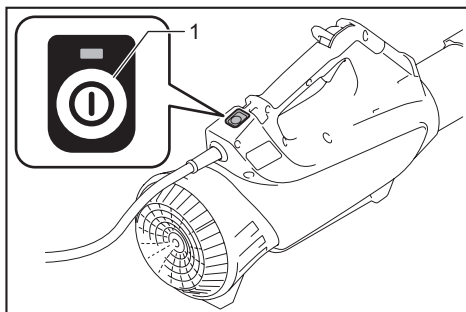
Lors de l'insertion, alignez les marques triangulaires de la fiche et de la prise.



► 1. Fiche 2. Prise 3. Marque triangulaire

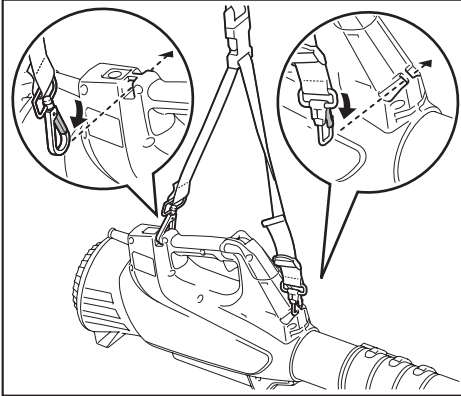
8. Appuyez sur l'interrupteur d'alimentation secteur pour allumer la machine.

La machine est prête pour l'utilisation. La machine se mettra en marche lorsque vous appuierez sur la gâchette.

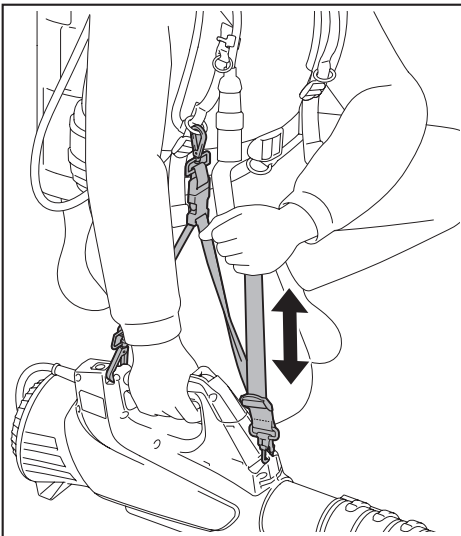


► 1. Interrupteur d'alimentation secteur

**NOTE :** Vous pouvez également utiliser la bande de suspension tel qu'illustré sur la figure.



Si nécessaire, réglez la longueur de la bande de suspension.



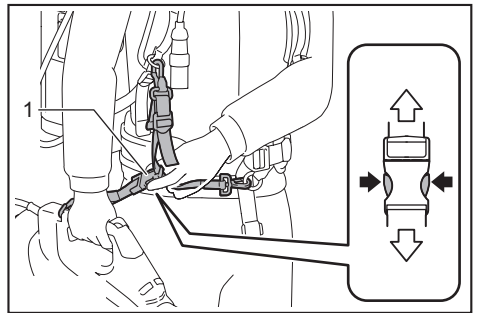
### Utilisation en tant que souffleur

**⚠ ATTENTION :** Ne mettez pas la machine sur le sol pendant qu'elle est allumée. Du sable ou des poussières peuvent pénétrer par l'entrée d'aspiration et provoquer un dysfonctionnement ou des blessures.

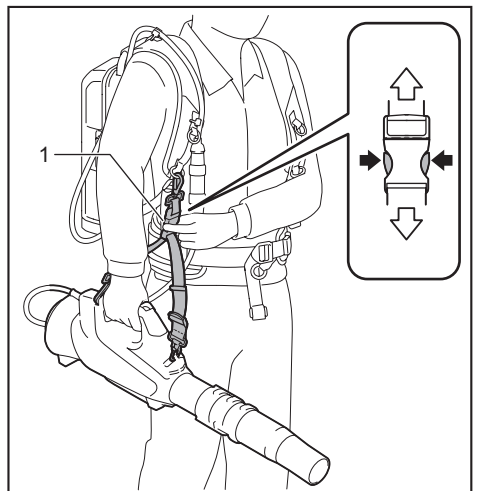
Tenez fermement la machine avec la main et effectuez le soufflage en la déplaçant lentement. Lorsque vous soufflez autour d'un bâtiment, d'une grosse pierre ou d'un véhicule, ne pointez pas la buse vers ces derniers. Lorsque vous travaillez dans un coin, commencez par le coin puis passez à la zone large.



Lorsque vous déposez la machine, déverrouillez la boucle de la bande de suspension à l'aide d'une main tout en tenant la machine avec l'autre main.

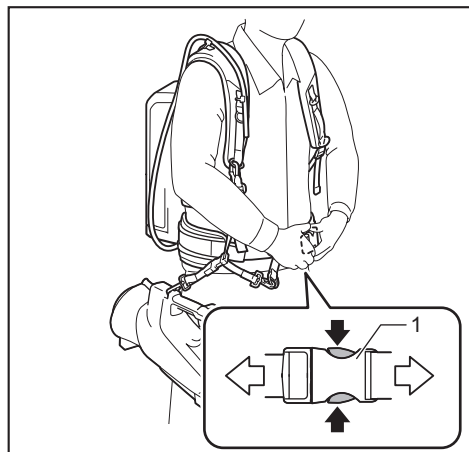


► 1. Boucle



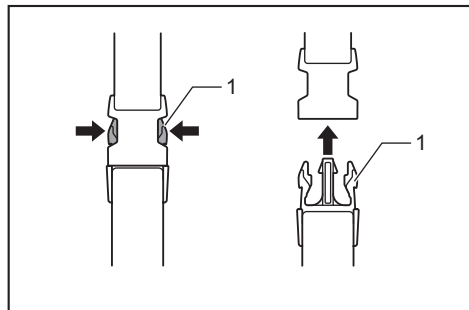
► 1. Boucle

Lorsque vous déposez la machine et le support d'alimentation portable en même temps, déverrouillez la boucle de la ceinture de taille, puis déposez la machine et le support d'alimentation portable.



► 1. Boucle

**NOTE :** Lorsque vous déverrouillez la boucle, appuyez sur les griffes de la boucle des deux côtés. Lorsque vous verrouillez la boucle, insérez les griffes jusqu'à ce qu'elles se verrouillent.

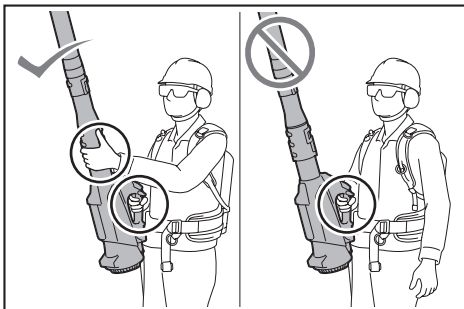


► 1. Griffe

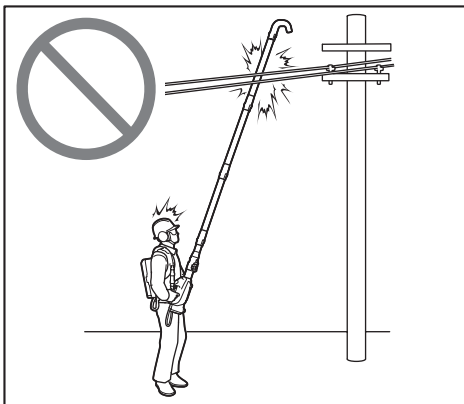
## Utilisation de l'ensemble de buse pour gouttière

**ATTENTION :** Lorsque vous utilisez l'ensemble de buse pour gouttière, n'utilisez pas la machine en mode Amplifié. Vous risqueriez de perdre l'équilibre et cela peut entraîner un accident, car le volume d'air augmente en mode Amplifié.

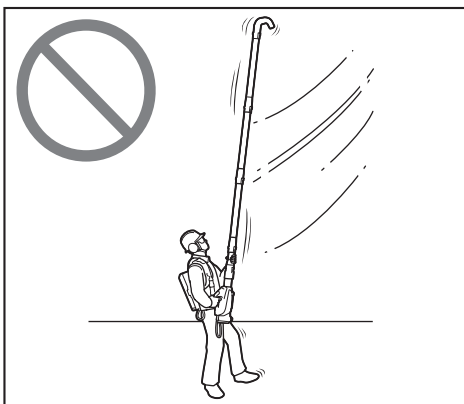
**ATTENTION :** Lorsque vous utilisez l'ensemble de buse pour gouttière, ne tenez pas le souffleur d'une seule main, mais à deux mains.



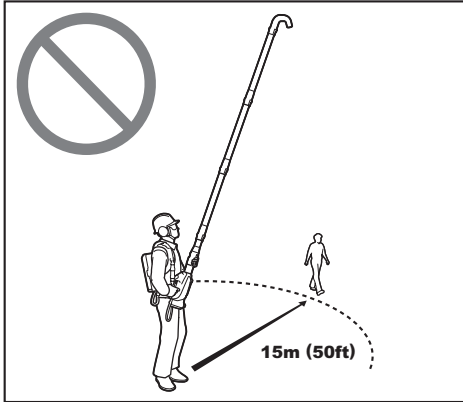
**ATTENTION :** N'utilisez pas l'ensemble de buse pour gouttière près des fils électriques.



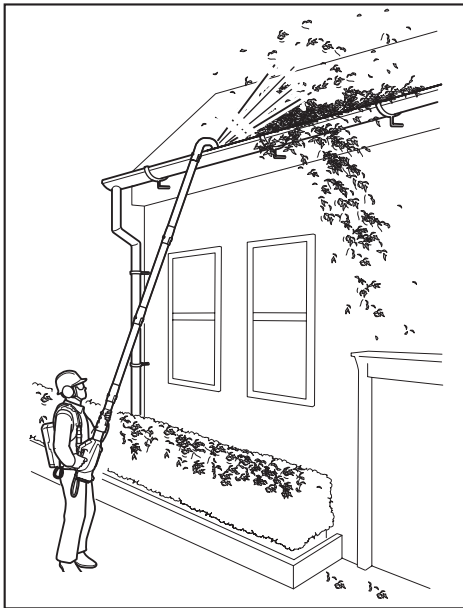
**ATTENTION :** N'utilisez pas l'ensemble de buse pour gouttière lors des journées venteuses.



**ATTENTION** : Lorsque vous utilisez l'ensemble de buse pour gouttière, tenez les autres personnes ou les animaux à plus de 15 m (50 ft) du souffleur.



Tenez le souffleur à la verticale en le saisissant par sa poignée. Mettez la sortie du souffleur sur la gouttière, puis allumez le souffleur.



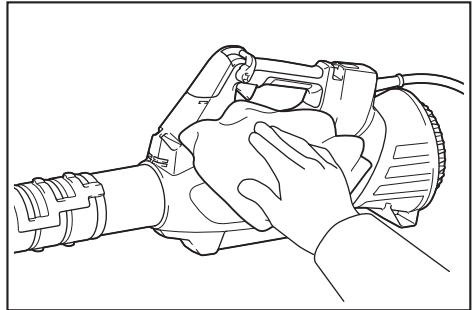
## ENTRETIEN

**ATTENTION** : Assurez-vous toujours que la machine est éteinte et que le support d'alimentation portable est déconnecté de la machine avant d'effectuer l'inspection ou l'entretien de la machine.

Pour maintenir la SÉCURITÉ et la FIABILITÉ du produit, les réparations et tout autre travail d'entretien ou de réglage doivent être effectués dans un centre de service après-vente autorisé ou une usine Makita, exclusivement avec des pièces de rechange Makita.

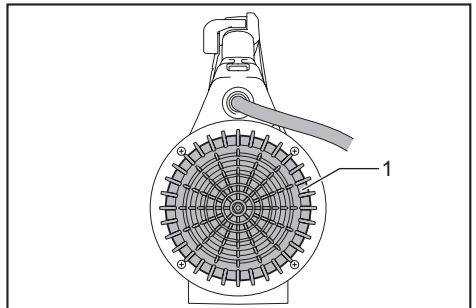
### Nettoyage de la machine

Nettoyez la machine en essuyant les poussières avec un linge sec ou trempé dans une eau savonneuse et essoré.



**AVIS** : N'utilisez jamais d'essence, de benzine, de solvant, d'alcool ou autres produits similaires. Une décoloration, une déformation ou la formation de fissures peuvent en découler.

Retirez les poussières ou saletés de l'entrée d'aspiration à l'arrière de la machine.

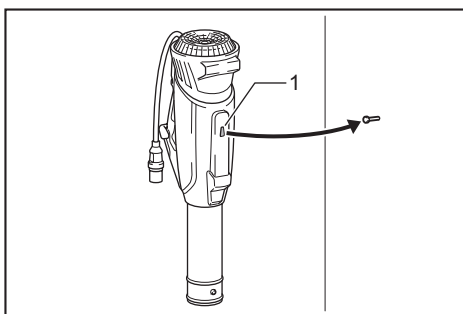


► 1. Entrée d'aspiration

## Remisage

Avant de remettre la machine, déconnectez le support d'alimentation portable de la machine et procédez à un entretien complet. Remisez la machine dans un emplacement hors de la portée des enfants et à l'abri de l'humidité, de la pluie et de la lumière directe du soleil.

Le trou de crochet au bas de la machine est pratique pour suspendre la machine à un clou ou à une vis sur le mur.



► 1. Trou

## DÉPANNAGE

Avant de faire une demande de réparation, faites d'abord votre propre inspection. Si vous rencontrez un problème non indiqué dans ce manuel, n'essayez pas de démonter la machine. Demandez plutôt à un centre de service après-vente Makita agréé de faire la réparation avec des pièces de rechange Makita.

État anormal	Cause probable (dysfonctionnement)	Solution
Le moteur ne tourne pas.	La batterie n'est pas installée.	Installez la batterie.
	Problème de batterie (tension insuffisante)	Rechargez la batterie. Si la recharge est sans effet, remplacez la batterie.
	Le dispositif d'entraînement ne fonctionne pas bien.	Demandez à votre centre local de service après-vente agréé d'effectuer la réparation.
Le moteur cesse de tourner au bout d'un court instant.	La charge de la batterie est faible.	Rechargez la batterie. Si la recharge est sans effet, remplacez la batterie.
	Surchauffe.	Cessez l'utilisation de la machine pour la laisser refroidir.
La machine n'atteint pas la vitesse maximale.	La batterie est mal installée.	Installez la batterie en suivant les instructions de ce manuel.
	La puissance de la batterie diminue.	Rechargez la batterie. Si la recharge est sans effet, remplacez la batterie.
	Le dispositif d'entraînement ne fonctionne pas bien.	Demandez à votre centre local de service après-vente agréé d'effectuer la réparation.
Vibration anormale : ⇒ arrêtez immédiatement la machine !	Le dispositif d'entraînement ne fonctionne pas bien.	Demandez à votre centre local de service après-vente agréé d'effectuer la réparation.
Le moteur ne peut pas s'arrêter : ⇒ Retirez immédiatement la batterie !	Dysfonctionnement électrique ou électronique.	Retirez la batterie et demandez à votre centre local de service après-vente agréé d'effectuer la réparation.

## ACCESSOIRES EN OPTION

**⚠ ATTENTION :** Ces accessoires ou pièces complémentaires sont recommandés pour l'utilisation avec le produit Makita spécifié dans ce manuel. L'utilisation de tout autre accessoire ou pièce complémentaire peut comporter un risque de blessure. N'utilisez les accessoires ou pièces complémentaires qu'aux fins auxquelles ils ont été conçus.

Si vous désirez obtenir plus de détails sur ces accessoires, veuillez contacter le centre de service après-vente Makita le plus près.

- Tuyau adaptateur
- Rallonge d'embout
- Embout plat
- Kit de buse pour gouttière
- Ensemble de bande
- Chargeur et batterie authentiques Makita

**NOTE :** Certains éléments de la liste peuvent être inclus dans l'emballage du produit comme accessoires standard. Ils peuvent varier d'un pays à l'autre.

## GARANTIE LIMITÉE MAKITA

Pour les conditions de garantie en vigueur qui s'appliquent à ce produit, veuillez vous reporter à la feuille de garantie en annexe. Si la feuille de garantie en annexe n'est pas disponible, reportez-vous aux détails de la garantie présentés sur le site Web de votre pays, ci-dessous.

États-Unis d'Amérique: [www.makitatools.com](http://www.makitatools.com)

Canada: [www.makita.ca](http://www.makita.ca)

Autres pays: [www.makita.com](http://www.makita.com)

## ESPECIFICACIONES

Modelo:		UB001C
Capacidades	Volumen de aire	0 m <sup>3</sup> /min - 17,6 m <sup>3</sup> /min (0 cu.ft./min - 622 cu.ft./min)
	Velocidad del aire (promedio)	0 m/s - 58,0 m/s (0 MPH - 130 MPH)
	Velocidad del aire (máx.)	0 m/s - 70,0 m/s (0 MPH - 157 MPH)
Longitud total (con boquilla de extremo)		960 mm (37-3/4") / 1 010 mm (39-3/4") / 1 060 mm (41-3/4")
Tensión nominal		36 V - 40 V c.c. máx.
Peso neto		2,6 - 2,9 kg (5,7 - 6,4 lbs)
Grado de protección		IPX4

- Debido a nuestro continuo programa de investigación y desarrollo, las especificaciones aquí incluidas están sujetas a cambio sin previo aviso.
- Las especificaciones pueden variar de país a país.
- Peso de acuerdo con el procedimiento 01/2014 de EPTA

### Unidad portátil de alimentación eléctrica aplicable

PDC01

**⚠ ADVERTENCIA:** Utilice solo las unidades portátiles de alimentación eléctrica que se mencionaron anteriormente. El uso de cualquier otra unidad portátil de alimentación eléctrica podría ocasionar una lesión o un incendio.

## ADVERTENCIAS DE SEGURIDAD

## INSTRUCCIONES IMPORTANTES DE SEGURIDAD

Al usar cualquier aparato eléctrico, siempre deben seguirse las precauciones básicas, incluyendo las siguientes:

**LEA TODAS LAS INSTRUCCIONES ANTES DE USAR EL APARATO. ADVERTENCIA: Para reducir el riesgo de incendio, descarga eléctrica o lesión:**

1. No deje el aparato con la batería puesta. Retire la batería del aparato cuando no lo vaya a utilizar y antes de dar servicio de mantenimiento.
2. No lo exponga a la lluvia. Almacénelo en interiores.

3. No permita que sea utilizado como un juguete. Preste mucha atención cuando sea utilizado por niños o cerca de ellos.
4. Utilícelo solamente como se describe en este manual. Sólo use aditamentos recomendados por el fabricante.
5. No lo utilice con una batería dañada. Si el aparato no está funcionando como debiera, se ha dejado caer, se ha dañado, se ha dejado a la intemperie o ha caído sobre agua, llévelo a un centro de servicio.
6. No introduzca ningún objeto en las aberturas. No lo utilice con ninguna abertura bloqueada; manténgalo libre de polvo, pelusa, cabello y cualquier objeto que pueda reducir el flujo de aire.
7. Mantenga el cabello, la ropa holgada, los dedos y todas las partes del cuerpo lejos de las aberturas y piezas móviles.
8. Tenga especial cuidado cuando limpie en escaleras.
9. Utilice solamente el cargador suministrado por el fabricante para recargar.

## GUARDE ESTAS INSTRUCCIONES.

Este aparato está diseñado para un uso tanto doméstico como comercial.

## Instrucciones de seguridad para la sopladora alimentada a batería

### Preparación

1. Siempre use calzado robusto y pantalones largos al operar la sopladora.
2. No use ropa holgada o alhajas que puedan ser jaladas hacia la entrada de aire. Mantenga el cabello largo lejos de las entradas de aire.
3. Use siempre gafas protectoras, una gorra y una mascarilla cuando utilice la sopladora. Los anteojos comunes o para el sol NO son gafas de seguridad.

4. Para evitar la irritación por polvo, se recomienda el uso de una mascarilla.
5. Cuando opere la máquina use siempre calzado de protección con suela antiderrapante. Los zapatos y botas de seguridad cerrados con suela antideslizante reducen el riesgo de lesiones.
6. Inspeccione el cable antes de operar la máquina. Si el cable se daña, solicite la reparación a los centros de servicio autorizado de Makita.

#### Operación

1. Nunca opere la sopladora cuando haya personas, especialmente niños, o mascotas cerca.
2. Apague la sopladora y retire la batería y asegúrese de que todas las partes móviles se hayan detenido por completo
  - cada vez que deje la sopladora.
  - antes de despejar obstrucciones.
  - antes de revisar, limpiar o trabajar en la sopladora.
  - Si la sopladora empieza a vibrar de manera anormal.
3. Utilice la sopladora solamente a la luz del día o en buenas condiciones de iluminación artificial.
4. No use una postura forzada y mantenga el equilibrio y los pies en firme en todo momento.
5. Nunca sople escombros en dirección de las personas cercanas.
6. Utilice la sopladora en una posición recomendada y sobre una superficie firme.
7. No opere la sopladora en lugares elevados.
8. Cuando utilice la sopladora, no apunte nunca la boquilla a nadie alrededor.
9. Nunca bloquee la entrada de succión o la salida de la sopladora.
  - Tenga cuidado de no bloquear la entrada de succión o la salida de la sopladora con polvo o suciedad al operar en áreas con polvo.
  - No use boquillas que no sean las proporcionadas por Makita.
  - No utilice la sopladora para inflar pelotas, botes de caucho o similares.
10. No haga funcionar la sopladora cerca de una ventana abierta, etc.
11. Se recomienda operar la sopladora solo a horas razonables, no temprano en la mañana o tarde en la noche para no molestar a las personas.
12. Se recomienda usar rastrillos y escobas para aflojar los residuos antes de soplar.
13. Si la sopladora golpea algún objeto extraño o comienza a hacer cualquier ruido o vibración inusual, apague la sopladora inmediatamente para detenerlo. Retire la batería de la sopladora e inspeccione la sopladora en búsqueda de daños, antes de volver a encenderla y ponerla en funcionamiento. Si la sopladora se daña, solicite la reparación a los centros de servicio autorizado de Makita.
14. No introduzca los dedos u otros objetos en la entrada de succión o en la salida de la sopladora.
15. Evite un arranque accidental. Asegúrese de que el interruptor esté en la posición apagada antes de insertar la batería, levantar la sopladora o transportarla. Cargar la sopladora con su dedo en el interruptor o pasar energía a la sopladora con el interruptor encendido puede propiciar accidentes.
16. Nunca sople sobre materiales peligrosos, como clavos, fragmentos de vidrio o cuchillas.
17. No opere la sopladora cerca de materiales inflamables.
18. Evite hacer funcionar la sopladora durante mucho tiempo en ambientes de temperatura baja.
19. Asegúrese siempre de pisar sobre suelo firme en las pendientes.
20. No utilice la máquina cuando exista riesgo de ser alcanzado por un rayo.
21. Cuando utilice la máquina sobre suelo embarrado, inclinaciones mojadas o superficies resbalosas, tenga cuidado al pisar.
22. Evite trabajar en un entorno deficiente donde sea probable que aumente la fatiga del usuario.
23. No utilice la máquina cuando las condiciones climáticas no sean buenas y la visibilidad sea limitada. En caso contrario se podrían ocasionar caídas u operaciones incorrectas debido a la baja visibilidad.
24. No sumerja la máquina en los charcos.
25. Cuando debido a la lluvia se adhieran hojas mojadas o tierra a la abertura de succión (ventana de ventilación), retírelas.

#### Mantenimiento y almacenamiento

1. Mantenga apretados todos los tuercas, pernos y tornillos para asegurar que la sopladora se encuentre en condiciones seguras de operación.
2. Si las piezas están desgastadas o dañadas, reemplácelas con piezas proporcionadas por Makita.
3. Guarde la sopladora en un lugar seco fuera del alcance de los niños.
4. Cuando detenga la sopladora para inspeccionarla, repararla, almacenarla o cambiarle un accesorio, apáguela y asegúrese de que todas las partes en movimiento se detengan por completo y retire la batería. Enfríe la sopladora antes de realizar cualquier trabajo en la misma. Mantenga la sopladora con cuidado y manténgala limpia.
5. Siempre permita que la sopladora se enfríe antes de almacenarla.
6. Cuando levante la sopladora, asegúrese de doblar las rodillas y tenga cuidado de no lastimarse la espalda.
7. No deje la máquina desatendida a la intemperie bajo la lluvia.
8. No lave la máquina con agua a alta presión.
9. Almacene la máquina lejos de la lluvia y la luz directa del sol y en un sitio donde no haga calor ni haya humedad.

10. **Realice las inspecciones y labores de mantenimiento en un sitio protegido de la lluvia.**
11. **Después de utilizar la máquina, quite la suciedad adherida y séquela completamente antes de guardarla.** Dependiendo de la estación o de la zona, existe el riesgo de un mal funcionamiento por congelación.
12. **No levante o transporte la máquina sosteniéndola solamente por el cable.**

#### Uso y cuidado de la herramienta a batería

1. **Evite una puesta en marcha accidental. Asegúrese de que el interruptor esté en la posición apagada antes de conectar el paquete de baterías, levantar la herramienta o cargarla.** Cargar la herramienta con su dedo en el interruptor o pasar energía a la herramienta con el interruptor encendido puede propiciar accidentes.
2. **Desconecte el paquete de baterías de la herramienta antes de hacer cualquier ajuste, cambiar accesorios o almacenar la herramienta.** Estas medidas de seguridad preventivas reducen el riesgo de poner en marcha la herramienta accidentalmente.
3. **Recargue sólo con el cargador especificado por el fabricante.** Un cargador que sea adecuado para un tipo específico de paquete de batería puede generar un riesgo de incendio al usarse con un paquete de batería distinto.
4. **Use las herramientas únicamente con los paquetes de baterías designados específicamente para ellas.** El uso de otros paquetes de baterías puede generar riesgo de lesiones e incendio.
5. **Cuando no se esté usando el paquete de batería, manténgalo alejado de otros objetos metálicos, como sujetapapeles (clips), monedas, llaves, clavos, tornillos u otros objetos pequeños de metal que puedan crear una conexión entre una terminal y otra.** Causar un cortocircuito en las terminales de la batería puede provocar quemaduras o incendio.
6. **En condiciones de mal uso, podría escapar líquido de la batería; evite el contacto.** Si toca el líquido accidentalmente, enjuague con agua. Si hay contacto del líquido con los ojos, solicite atención médica. El líquido expulsado de la batería puede causar irritación o quemaduras.
7. **No utilice un paquete de baterías o una herramienta que esté dañado/dañada o haya sido modificado/modificada.** Las baterías dañadas o modificadas podrían comportarse de manera impredecible causando un incendio, explosión o riesgo de lesión.
8. **No exponga un paquete de baterías o una herramienta al fuego o a una temperatura excesiva.** La exposición al fuego a una temperatura superior a 130 °C (265 °F) podría causar una explosión.
9. **Siga todas las instrucciones relativas a la carga y no cargue el paquete de baterías o la herramienta fuera del rango de temperatura especificado en las instrucciones.** Cargar de manera inapropiada o a temperaturas fuera del rango especificado podría dañar la batería e incrementar el riesgo de incendio.

10. **Pida que el servicio lo realice un técnico en reparaciones calificado y que utilice únicamente piezas de repuesto idénticas a las originales.** Esto garantizará que se mantenga la seguridad del producto.
11. **No modifique ni intente reparar la herramienta ni el paquete de baterías salvo como se indique en las instrucciones para el uso y cuidado.**

#### Seguridad eléctrica y de la batería

1. **No arroje la(s) batería(s) al fuego.** La celda podría explotar. Consulte los códigos locales para ver si hay instrucciones especiales relativas al desecho.
2. **No abra ni dañe la(s) batería(s).** Los electrolitos liberados son corrosivos y pueden ocasionar daños en los ojos o la piel. Pueden ser tóxicos si se llegan a tragar.
3. **No cargue la batería bajo la lluvia ni en lugares mojados.**
4. **No cargue la batería en exteriores.**
5. **No manipule el cargador, incluída la la clavija del cargador, ni los terminales con las manos mojadas.**
6. **No reemplace la batería bajo la lluvia.**
7. **No moje el terminal de la batería con líquidos, como el agua, ni sumerja la batería en ellos. No deje la batería bajo la lluvia, ni cargue, utilice, o guarde la batería en un lugar húmedo o mojado.** Si el terminal se moja o entra líquido dentro de la batería, la batería puede sufrir un cortocircuito, con el consiguiente riesgo de sobrecalentamiento, incendio o explosión.
8. **Después de retirar la batería de la máquina o el cargador, asegúrese de acoplar la cubierta de la batería a la batería y de guardarla en un lugar seco.**
9. **No reemplace la batería con las manos mojadas.**
10. **Si la batería se moja, drene el agua que se haya acumulado en el interior y luego límpiela con un paño seco. Seque la batería por completo en un lugar seco antes de usarla.**

#### Servicio

1. **Haga que una persona calificada repare la herramienta eléctrica utilizando sólo piezas de repuesto idénticas.** Esto asegura que se mantenga la seguridad de la herramienta eléctrica.
2. **Nunca dé servicio a baterías que estén dañadas.** El servicio a las baterías solamente deberá ser efectuado por el fabricante o un agente de servicio autorizado.

## CONSERVE ESTAS INSTRUCCIONES.

**⚠ADVERTENCIA:** NO DEJE que la comodidad o familiaridad con el producto (a base de utilizarlo repetidamente) evite que siga estrictamente las normas de seguridad para dicho producto.

El USO INCORRECTO o el no seguir las normas de seguridad indicadas en este manual de instrucciones puede ocasionar lesiones graves.



**⚠ ADVERTENCIA:** El uso de este producto puede producir polvo que contenga sustancias químicas que podrían causar enfermedades respiratorias o de otro tipo. Algunos ejemplos de estas sustancias químicas son los compuestos encontrados en pesticidas, insecticidas, fertilizantes y herbicidas.

El riesgo al que se expone varía, dependiendo de la frecuencia con la que realice este tipo de trabajo. Para reducir la exposición a estas sustancias químicas: trabaje en un área bien ventilada y use un equipo de seguridad aprobado, tal como las máscaras contra polvo que están especialmente diseñadas para filtrar partículas microscópicas.

## Símbolos

A continuación se muestran los símbolos utilizados para la herramienta.

	volts o voltios
	corriente directa o continua

## Instrucciones importantes de seguridad para el cartucho de batería

1. Antes de utilizar el cartucho de batería, lea todas las instrucciones e indicaciones de precaución en el (1) el cargador de batería, (2) la batería, y (3) el producto con el que se utiliza la batería.
2. No desarme ni modifique el cartucho de batería. Podría ocurrir un incendio, calor excesivo o una explosión.
3. Si el tiempo de operación se ha acortado en exceso, deje de operar de inmediato. Podría correrse el riesgo de sobrecalentamiento, posibles quemaduras e incluso explosión.
4. En caso de que ingresen electrolitos en sus ojos, enjuáguelos bien con agua limpia y consulte de inmediato a un médico. Esto podría ocasionar pérdida de visión.
5. Evite cortocircuitar el cartucho de batería:
  - (1) No toque las terminales con ningún material conductor.
  - (2) Evite guardar el cartucho de batería en un cajón junto con otros objetos metálicos, tales como clavos, monedas, etc.
  - (3) No esponga el cartucho de batería al agua o la lluvia.

Un cortocircuito en la batería puede causar un flujo grande de corriente, sobrecalentamiento, posibles quemaduras e incluso una descompostura.

6. No guarde ni utilice la herramienta y el cartucho de batería en lugares donde la temperatura pueda alcanzar o exceder los 50 °C (122 °F).

7. Nunca incinere el cartucho de batería incluso en el caso de que esté dañado seriamente o ya no sirva en absoluto. El cartucho de batería puede explotar si se tira al fuego.
8. No clave, corte, aplaste, lance o deje caer el cartucho de batería, ni golpee un objeto sólido contra el cartucho de batería. Dicha acción podría resultar en un incendio, calor excesivo o en una explosión.
9. No use una batería dañada.
10. Las baterías de ión de litio están sujetas a los requisitos reglamentarios en materia de bienes peligrosos.

Para el transporte comercial, por ej., mediante terceros o agentes de transporte, se deben tomar en cuenta los requisitos especiales relativos al empaque y el etiquetado.

Para efectuar los preparativos del artículo que se va a enviar, se requiere consultar a un experto en materiales peligrosos. Si es posible, consulte además otras regulaciones nacionales más detalladas.

Pegue o cubra con cinta adhesiva los contactos abiertos y mueva la batería de manera que ésta no pueda moverse dentro del paquete.
11. Para deshacerse del cartucho de batería, sáquelo de la herramienta y deséchelo en un lugar seguro. Siga las regulaciones locales relacionadas al desecho de las baterías.
12. Utilice las baterías únicamente con los productos especificados por Makita. Instalar las baterías en productos que no cumplan con los requisitos podría ocasionar un incendio, un calentamiento excesivo, una explosión o una fuga de electrolito.
13. Si no se utiliza la herramienta por un periodo largo, debe extraerse la batería de la herramienta.
14. El cartucho de batería podría absorber calor durante y después de su uso, lo que ocasionaría quemaduras o quemaduras a baja temperatura. Tenga cuidado con la manipulación de los cartuchos de batería que estén calientes.
15. No toque el terminal de la herramienta inmediatamente después de su uso, ya que el mismo podría estar lo suficientemente caliente como para provocarle quemaduras.
16. No permita que las rebabas, el polvo o la tierra queden atrapados en los terminales, orificios y ranuras del cartucho de batería. Esto podría ocasionar un desempeño deficiente o descompostura de la herramienta o del cartucho de batería.
17. No utilice el cartucho de batería cerca de cables eléctricos de alto voltaje, a menos que la herramienta sea compatible con el uso cercano a estos cables eléctricos de alto voltaje. Esto podría ocasionar una avería o descompostura de la herramienta o del cartucho de batería.
18. Mantenga la batería alejada de los niños.

## GUARDE ESTAS INSTRUCCIONES.

**⚠️ PRECAUCIÓN:** Utilice únicamente baterías originales de Makita. El uso de baterías no originales de Makita, o de baterías alteradas, puede ocasionar que las baterías exploten causando un incendio, lesiones personales y daños. Asimismo, esto invalidará la garantía de Makita para la herramienta y el cargador Makita.

## Consejos para alargar al máximo la vida útil de la batería

1. Cargue el cartucho de batería antes de que se descargue completamente. Pare siempre la operación y cargue el cartucho de batería cuando note menos potencia en la herramienta.
2. No cargue nunca un cartucho de batería que esté completamente cargado. La sobrecarga acortará la vida de servicio de la batería.
3. Cargue el cartucho de batería a una temperatura ambiente de 10 °C - 40 °C (50 °F - 104 °F). Si un cartucho de batería está caliente, déjelo enfriar antes de cargarlo.
4. Cuando no utilice el cartucho de batería, sáquelo de la herramienta o del cargador.
5. Cargue el cartucho de batería si no va a utilizarlo durante un período prolongado (más de seis meses).

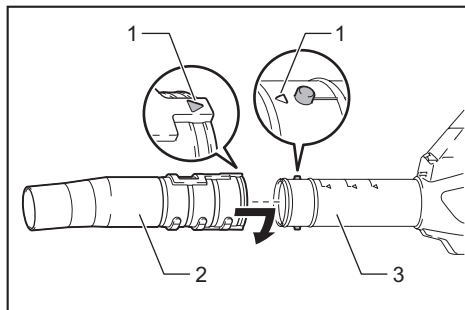
## MONTAJE

**⚠️ PRECAUCIÓN:** Asegúrese siempre de que la máquina esté apagada y la unidad portátil de alimentación eléctrica esté desconectada de la máquina antes de realizar cualquier trabajo en la máquina.

### Instalación de la boquilla de extremo

Alinee la marca triangular de la boquilla de extremo con la marca triangular del tubo frontal, luego conecte la boquilla de extremo al tubo frontal y luego gire la boquilla de extremo para bloquearla en su lugar.

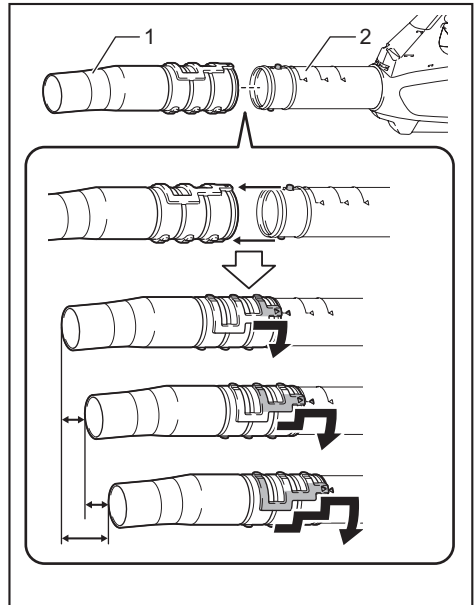
Instale la boquilla de extremo, de manera que la punta de la boquilla quede mirando hacia abajo. Usted puede instalar la boquilla de extremo, de manera que la punta de la boquilla quede mirando hacia arriba, dependiendo del entorno de trabajo.



- 1. Marca de triángulo 2. Boquilla de extremo  
3. Tubo frontal

Para extraer la boquilla de extremo, realice el procedimiento de instalación en orden inverso.

**NOTA:** La longitud de la boquilla se puede modificar moviendo la boquilla tal como se muestra en la ilustración.

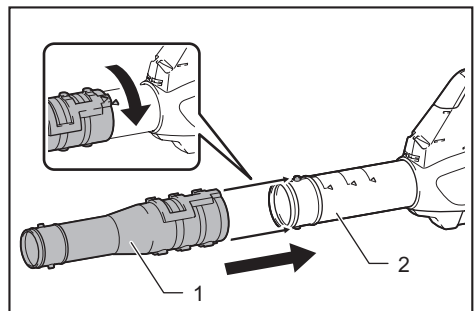


- 1. Boquilla de extremo 2. Tubo frontal

### Instalación de la boquilla plana o boquilla de extensión

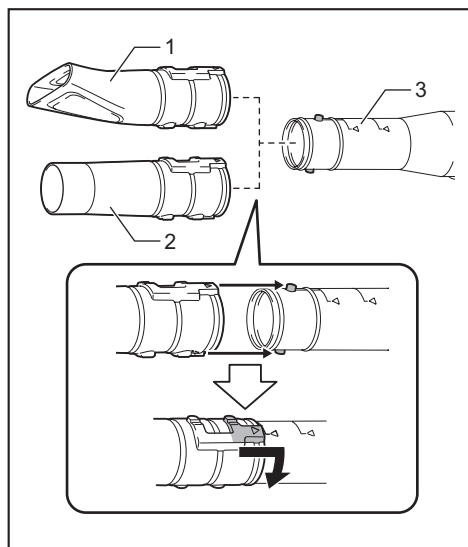
#### Accesorio opcional

1. Alinee la ranura en el tubo adaptador con la protuberancia del tubo frontal, luego conecte el tubo adaptador al tubo frontal y luego gírelo para bloquearlo en su lugar.



- 1. Tubo adaptador 2. Tubo frontal

2. Alinee la ranura de la boquilla plana o de la boquilla de extensión con la protuberancia del tubo adaptador, luego coloque la boquilla plana o la boquilla de extensión al tubo adaptador y luego gírelo para asegurarlo en su lugar.



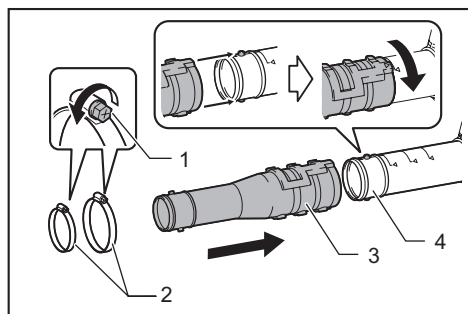
► 1. Boquilla plana 2. Boquilla de extensión 3. Tubo adaptador

## Instalación del juego de extensión para boquilla para canaleta

### Accesorio opcional

1. Alinee la ranura en el tubo adaptador con la protuberancia del tubo frontal, luego conecte el tubo adaptador al tubo frontal y luego gírelo para bloquearlo en su lugar.

Inserte el tubo adaptador hasta el máximo de su recorrido, para que la protuberancia quepa en la ranura más profunda del tubo adaptador.

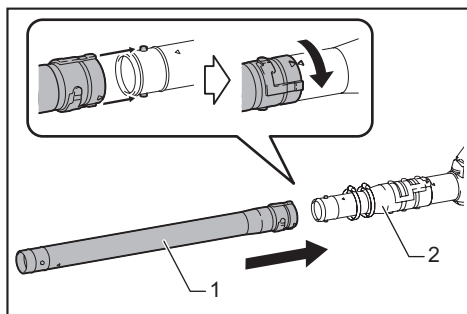


► 1. Tornillo 2. abrazadera para manguera 3. Tubo adaptador 4. Tubo frontal

2. Afloje los tornillos de las abrazaderas para manguera y pase la abrazadera grande para manguera por el tubo adaptador, luego pase la abrazadera chica para manguera.

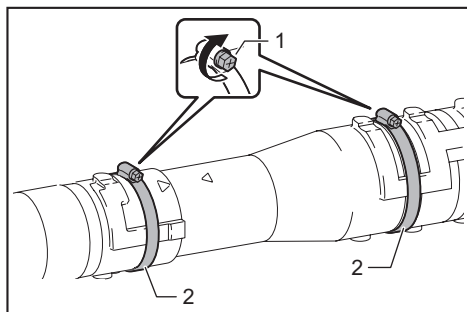
3. Conexión del tubo de extensión al tubo adaptador.

Alinee la ranura del tubo de extensión con la protuberancia del tubo adaptador, y luego deslice el tubo de extensión a lo largo de su ranura, de modo que las marcas triangulares queden orientadas entre sí.



► 1. Tubo de extensión 2. Tubo adaptador

4. Coloque las abrazaderas para manguera sobre las ranuras como se ilustra y apriete los tornillos.

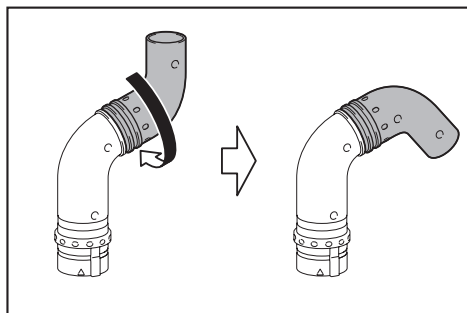


► 1. Tornillo 2. Abrazadera para manguera

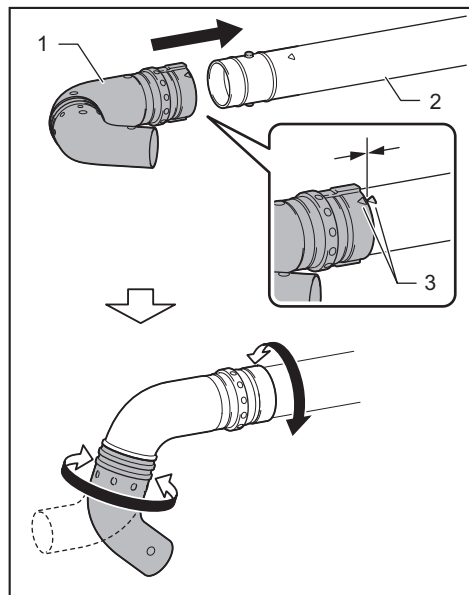
5. De acuerdo con la altura de trabajo, conecte el resto de los tubos de extensión al tubo de extensión, el cual ya haya sido colocado.

**⚠PRECAUCIÓN:** No coloque el tubo de extensión si la longitud total que incluya el cuerpo de la sopladora supere los 4 metros (14 ft).

6. Gire la salida de la boquilla de extremo, tal como se muestra en la ilustración.

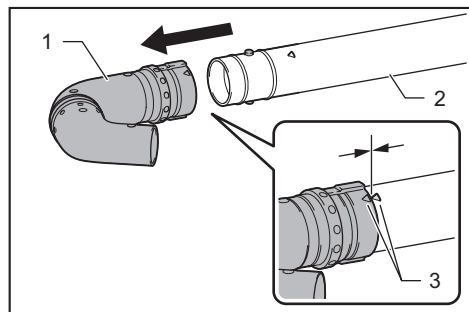


7. Conecte la boquilla de extremo al tubo de extensión. Cuando los conecte, alinee la marca triangular de la boquilla de extremo y el tubo de extensión, y luego empuje la boquilla de extremo hasta que haga clic. Después de esto, gire la boquilla de extremo a una posición adecuada para su trabajo.



- 1. Boquilla de extremo 2. Tubo de extensión  
3. Marca triangular

Cuando retire la boquilla de extremo, alinee las marcas triangulares de la boquilla de extremo y del tubo de extensión, y luego jale la boquilla de extremo del tubo de extensión.



- 1. Boquilla de extremo 2. Tubo de extensión  
3. Marca triangular

## DESCRIPCIÓN DEL FUNCIONAMIENTO

**⚠PRECAUCIÓN:** Asegúrese siempre de que la máquina esté apagada y la unidad portátil de alimentación eléctrica esté desconectada de la máquina antes de realizar cualquier ajuste o revisión del funcionamiento de la máquina.

### Sistema de protección de la máquina/batería

Esta máquina está equipada con un sistema de protección de la máquina/batería. Este sistema corta automáticamente la alimentación al motor para prolongar la vida útil de la máquina y la batería. La máquina se detendrá automáticamente durante la operación si la máquina o la batería se someten a una de las siguientes condiciones.

#### Protección contra sobrecarga

Cuando la máquina o la batería se estén utilizando de una manera que cause que consuman una cantidad de corriente anormalmente alta, la máquina se detendrá automáticamente y la luz indicadora de alimentación principal de la máquina parpadeará en color verde. En esta situación, apague la máquina y detenga la aplicación que haya causado que la máquina se sobrecargara. Luego encienda la máquina para volver a arrancarla.

#### Protección contra sobrecalentamiento

Cuando la máquina o la batería se sobrecalientan, ésta se detiene automáticamente. Cuando la máquina se sobrecalienta, la luz indicadora de alimentación principal se ilumina en rojo. Cuando la batería se sobrecalienta, la luz indicadora de alimentación principal de la máquina parpadea en rojo. Permita que la máquina y la batería se enfríen antes de volver a encender la máquina.

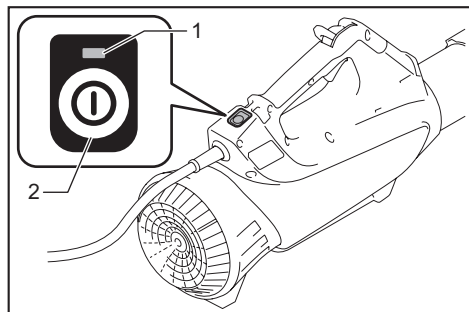
#### Protección en caso de sobredescarga

Cuando la capacidad de la batería no sea suficiente, la máquina se detendrá automáticamente y la luz indicadora de alimentación principal de la máquina parpadeará en rojo. En este caso, extraiga la batería de la máquina y cargue la batería, o reemplace la batería por una completamente cargada.

### Interruptor de alimentación principal

**⚠ADVERTENCIA:** Siempre apague el interruptor de alimentación principal cuando no lo vaya a utilizar.

Para encender la máquina, oprima el interruptor de alimentación principal. La luz indicadora de alimentación principal se iluminará en verde. Para apagarla, oprima nuevamente el interruptor de alimentación principal.



- 1. Luz indicadora de alimentación principal
- 2. Interruptor de alimentación principal

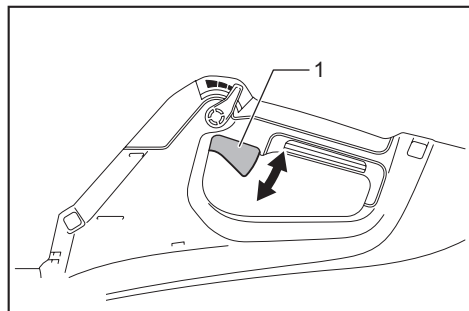
**NOTA:** Esta máquina emplea la función de apagado automático. Para evitar un arranque accidental, el interruptor de alimentación principal se desactivará automáticamente cuando el gatillo interruptor no haya sido jalado durante cierto período después de haber activado el interruptor de alimentación principal.

**NOTA:** Si usted oprime el interruptor de alimentación principal cuando la palanca de control no haya regresado por completo a la posición de apagado, o mientras aprieta el gatillo interruptor, la luz indicadora de alimentación principal parpadea en verde. En este caso, regrese la palanca de control por completo o suelte el gatillo interruptor, y luego oprima el interruptor de alimentación principal.

## Accionamiento del interruptor

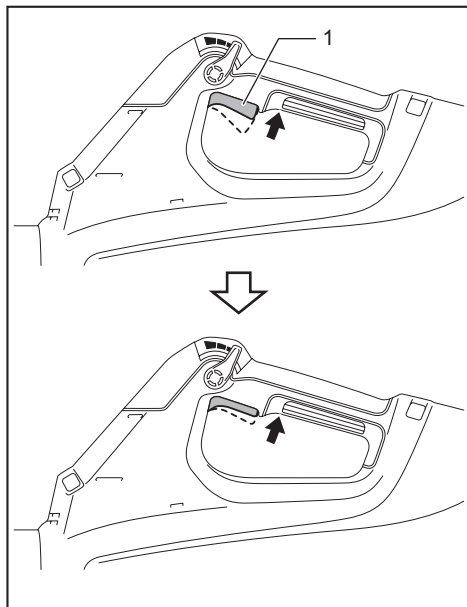
**⚠ ADVERTENCIA:** Antes de conectar la unidad portátil de alimentación eléctrica a la máquina, compruebe siempre que el gatillo interruptor se acciona debidamente y que regrese a la posición de apagado una vez que se suelte.

Para poner en marcha la máquina, simplemente apriete el gatillo interruptor. La velocidad de la máquina aumentará al incrementar la presión en el gatillo interruptor. Para detener la máquina, suelte el gatillo interruptor.



- 1. Gatillo interruptor

Puede utilizar la máquina en el modo de propulsión reforzada (boost). En el modo de propulsión reforzada, el volumen de aire es mayor que en el modo normal. Para usar la máquina en el modo de propulsión reforzada, jale del gatillo interruptor hasta que el gatillo interruptor se detenga en la posición intermedia, y luego oprima el gatillo interruptor por completo.



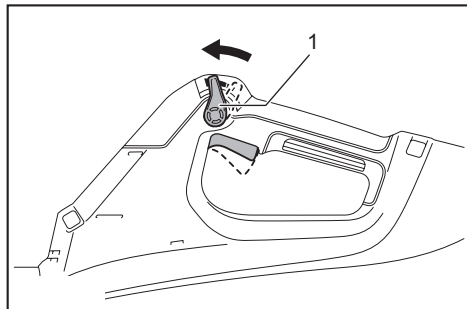
- 1. Gatillo interruptor

**NOTA:** Dependiendo de las condiciones de uso, el uso del modo de propulsión reforzada queda restringido para proteger la máquina. Si la luz indicadora de alimentación principal de la máquina parpadea en verde cuando usted oprime el gatillo interruptor por completo o mientras está utilizando la máquina en el modo de propulsión reforzada, el modo de propulsión reforzada no está disponible.

**NOTA:** El modo de propulsión reforzada no está disponible al girar la palanca de control.

## Función de control de velocidad

La función de control de velocidad permite al operador mantener una velocidad constante sin apretar del gatillo. Para aumentar la velocidad, gire la palanca de control hacia adelante. Para disminuir la velocidad, gire la palanca de control hacia atrás.



► 1. Palanca de control

## Función para evitar el encendido accidental

Incluso si conecta la unidad portátil de alimentación eléctrica a la máquina mientras oprime el gatillo interruptor, la máquina no arranca. Para arrancar la máquina, primero suelte el gatillo interruptor y regrese la palanca de control completamente, y luego jale el gatillo interruptor.

## OPERACIÓN

### Conexión de la unidad portátil de alimentación eléctrica

**⚠PRECAUCIÓN:** Cuando utilice la máquina en combinación con una fuente de alimentación eléctrica tipo mochila como una unidad portátil de alimentación eléctrica, use la banda para colgado incluida en el paquete de la máquina o la banda para colgado recomendada por Makita.

Si se pone el arnés para hombros que no sea recomendado por Makita y el arnés para hombros de la fuente de alimentación tipo mochila al mismo tiempo, es difícil quitar la máquina o la fuente de alimentación tipo mochila en caso de emergencia, y podría causar un accidente o lesión. Para la banda para colgado recomendada, pregunte a los centros de servicio autorizado de Makita.

**⚠PRECAUCIÓN:** Antes de la operación, asegúrese de que las hebillas del cinturón estén aseguradas y que la máquina esté bien sujeta al gancho de la banda para colgado.

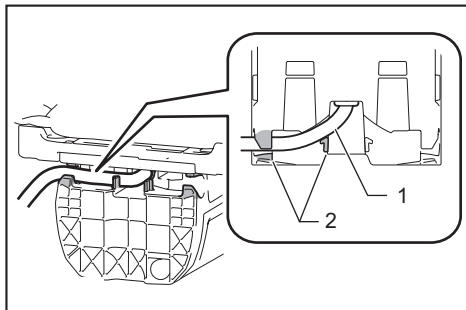
**⚠PRECAUCIÓN:** Para evitar un arranque accidental, asegúrese de que la máquina y la unidad portátil de alimentación eléctrica estén apagadas antes de iniciar este procedimiento.

**⚠PRECAUCIÓN:** Antes de realizar este procedimiento, acabe los ajustes para el cinturón y el arnés para hombros. Consulte el manual de instrucciones para los detalles de la unidad portátil de alimentación eléctrica.

**NOTA:** Antes de realizar este procedimiento, instale el/los cartucho(s) de batería a la unidad portátil de alimentación eléctrica. Consulte el manual de instrucciones para los detalles de la unidad portátil de alimentación eléctrica.

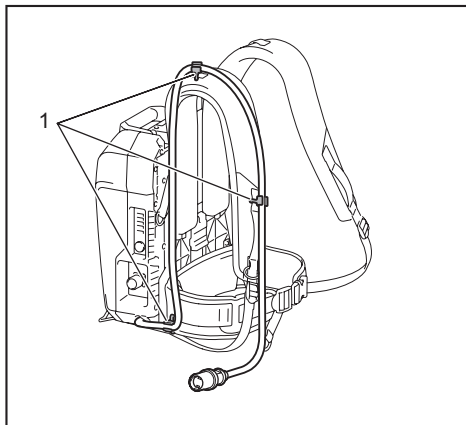
1. Jale hacia afuera el cable ya sea del lado izquierdo o derecho de la batería.

Cuando jale el cable hacia afuera, asegúrese de fijar el cable en los sujetadores tal como se muestra en la figura.



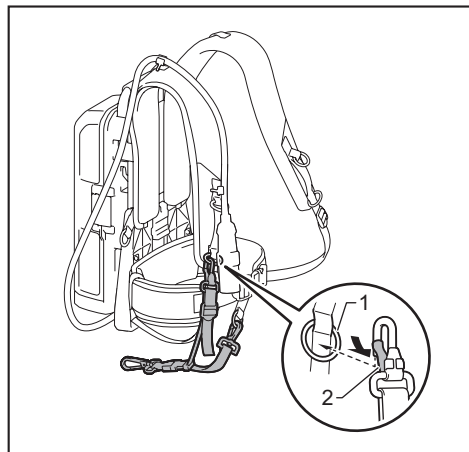
► 1. Cable 2. Sujetador

2. Acople el cable en los sujetadores de cable.



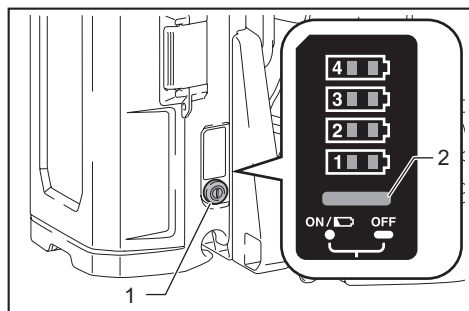
► 1. Sujetador de cable

3. Acople los ganchos de la banda para colgado a los anillos del arnés para hombros y del cinturón.



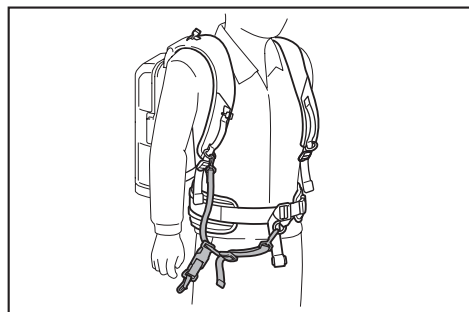
- 1. Anillo 2. Gancho

4. Oprima el botón de encendido en la unidad portátil de alimentación eléctrica. La lámpara de alimentación principal se encenderá.

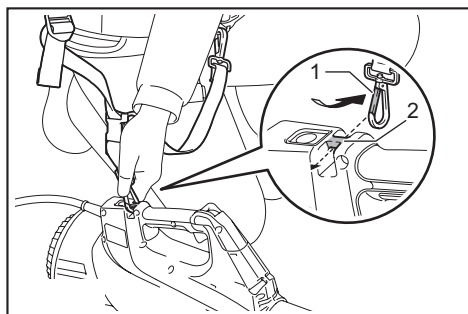


- 1. Botón de encendido 2. Lámpara de alimentación principal

5. Colóquese el arnés para el hombro de la unidad portátil de alimentación eléctrica y asegure la hebilla en el cinturón.

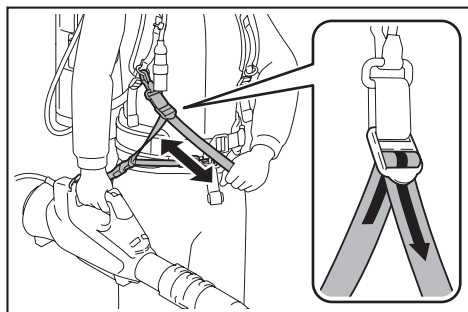


6. Coloque el arnés para hombros en la máquina mediante el gancho de la banda para colgado. Asegúrese de engancharse al colgador de la máquina.

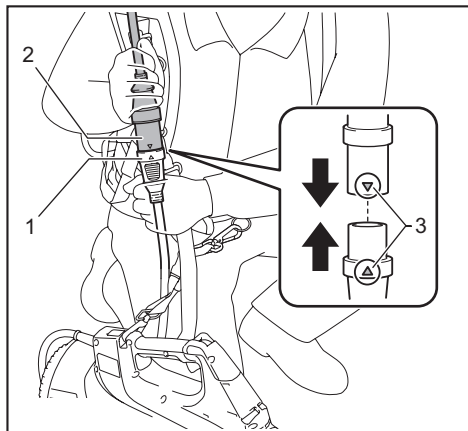


- 1. Gancho 2. Colgador

- Ajuste la longitud de la banda para colgado como sea necesario.



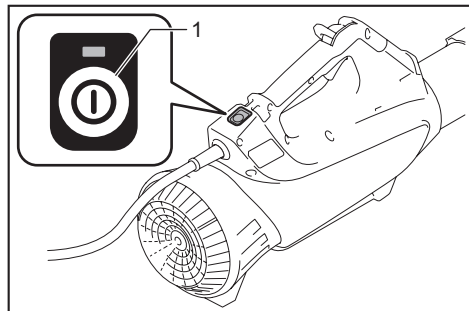
7. Inserte el enchufe de la máquina en el enchufe hembra de la unidad portátil de alimentación eléctrica. Cuando lo inserte, alinee la marca triangular tanto en el enchufe como en el enchufe hembra.



- 1. Enchufe 2. Enchufe hembra 3. Marca triangular

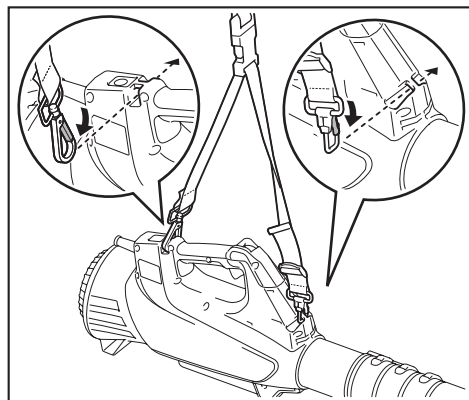
8. Oprima el interruptor de alimentación principal para encender la máquina.

La máquina está lista para funcionar. La máquina funcionará cuando jale del gatillo interruptor.

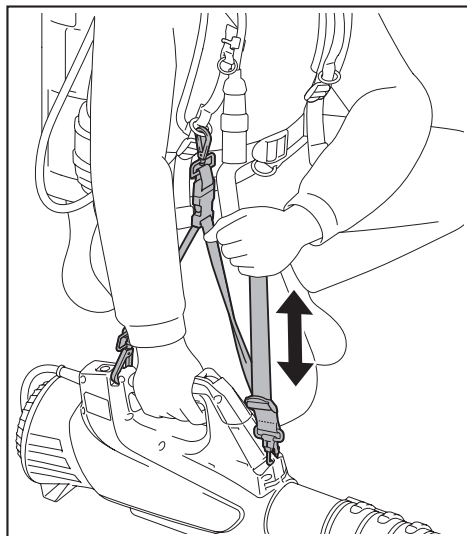


► 1. Interruptor de alimentación principal

**NOTA:** Usted también puede usar la banda para colgado tal como se muestra en la ilustración.



Ajuste la longitud de la banda para colgado como sea necesario.



## Operación de soplado

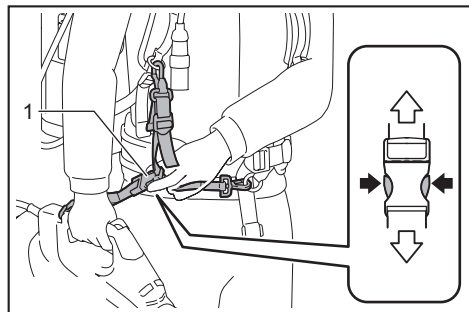
**⚠PRECAUCIÓN:** No coloque la máquina en el suelo mientras esté encendida. Arena o polvo pueden entrar desde la entrada de succión y ocasionar una falla o una lesión personal.

Sujete la máquina firmemente con una mano y realice la operación de soplado moviéndola lentamente. Al soplar alrededor de un edificio, piedras grandes o vehículos, dirija la boquilla lejos de ellos. Cuando realice una operación en una esquina, comience desde la esquina y luego muévase al área más amplia.

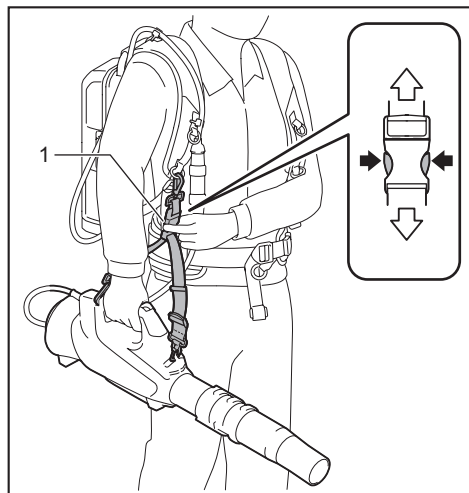




Cuando ponga la máquina en el piso, desbloquee la hebilla de la banda para colgado con una mano mientras sostiene la máquina con la otra mano.

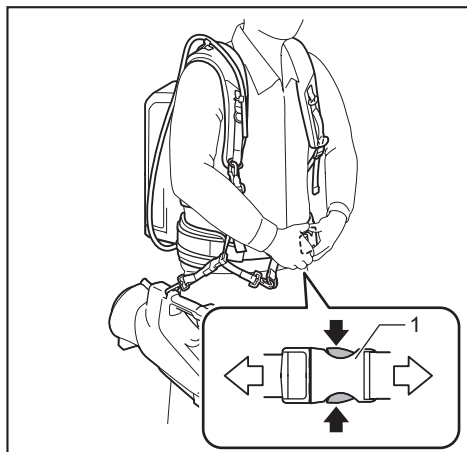


► 1. Hebilla



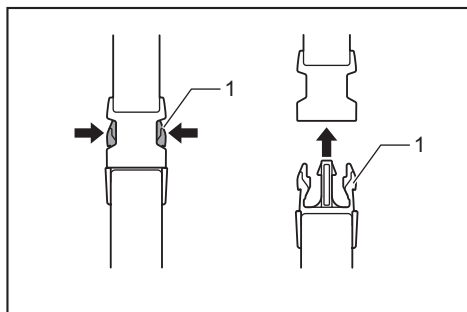
► 1. Hebilla

Cuando ponga la máquina y la unidad portátil de alimentación eléctrica en el piso al mismo tiempo, desbloquee la hebilla del cinturón, y luego ponga la máquina y la unidad portátil de alimentación eléctrica en el piso.



► 1. Hebilla

**NOTA:** Cuando desbloquee la hebilla, oprima las partes salientes de la hebilla en ambos lados. Cuando bloquee la hebilla, inserte las partes salientes hasta que queden asegurados.

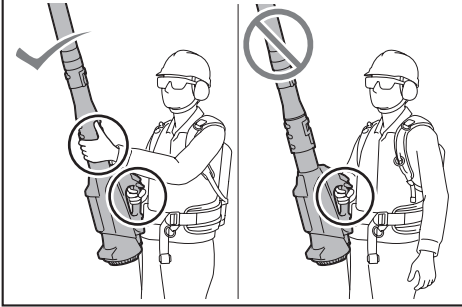


► 1. Parte saliente

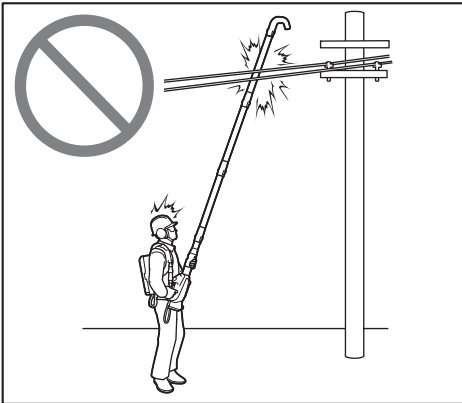
## Uso del juego de extensión para boquilla para canaleta

**⚠PRECAUCIÓN:** Cuando utilice el juego de extensión para boquilla para canaleta, no utilice la máquina en el modo de propulsión reforzada. Puede perder el equilibrio y esto podría causar un accidente, ya que el volumen de aire aumenta en el modo de propulsión reforzada.

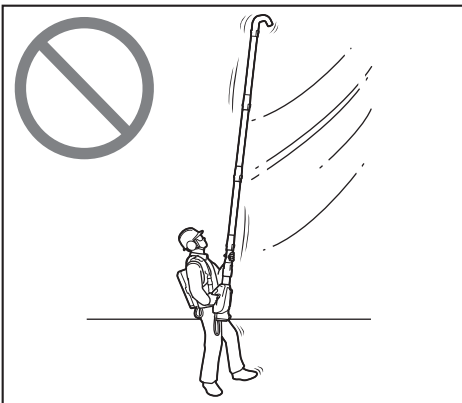
**⚠PRECAUCIÓN:** Cuando utilice el juego de extensión para boquilla para canaleta, no sujete la sopladora con una sola mano, sino con las dos.



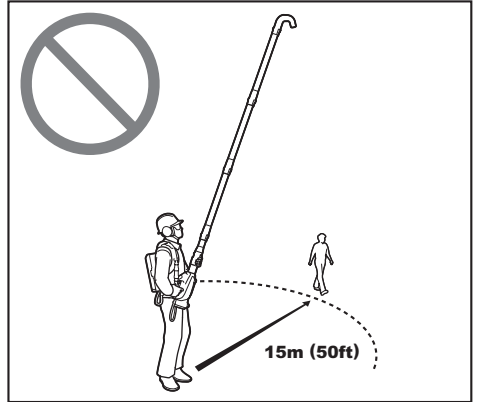
**⚠PRECAUCIÓN:** No utilice el juego de extensión para boquilla para canaleta cerca de cables eléctricos.



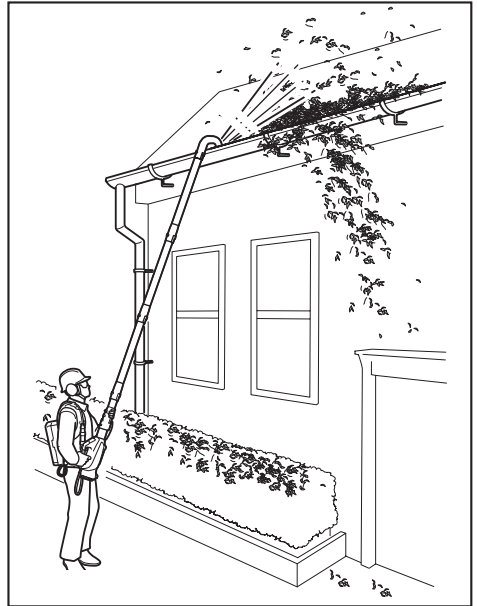
**⚠PRECAUCIÓN:** No utilice el juego de extensión para boquilla para canaleta en un día con viento.



**⚠PRECAUCIÓN:** Cuando utilice el juego de extensión para boquilla para canaleta, mantenga a las personas o animales alrededor a más de 15 m (50 ft) de distancia de la sopladora.



Mantenga la sopladora erguida al sostener el mango de la sopladora. Coloque la salida de la sopladora sobre la canaleta y luego encienda la sopladora.



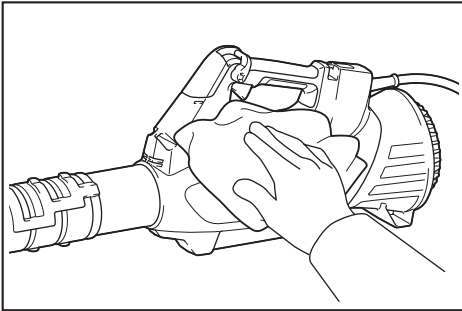
## MANTENIMIENTO

**⚠ PRECAUCIÓN:** Asegúrese siempre de que la máquina esté apagada y la unidad portátil de alimentación eléctrica esté desconectada de la máquina, antes de intentar realizar una inspección o mantenimiento sobre la misma.

Para mantener la SEGURIDAD y FIABILIDAD del producto, las reparaciones, y cualquier otra tarea de mantenimiento o ajuste deberán ser realizadas en centros de servicio autorizados o de fábrica Makita, empleando siempre repuestos Makita.

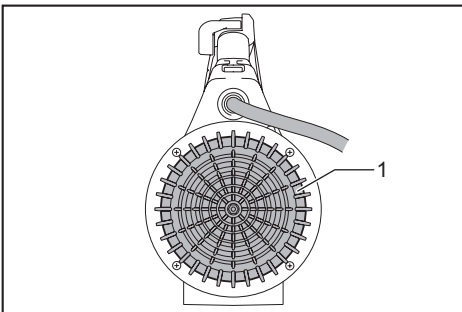
## Limpeza de la máquina

Quite el polvo de la máquina con un paño seco o humedezca un paño en agua y jabón y exprímalo para limpiarla.



**AVISO:** Nunca use gasolina, bencina, diluyente (tíner), alcohol o sustancias similares. Puede que esto ocasione grietas o descoloramiento.

Retire el polvo o la suciedad de la entrada de succión en la parte posterior de la máquina.

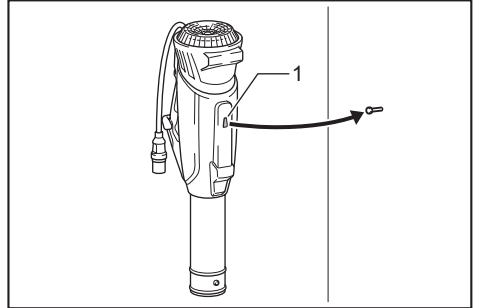


► 1. Entrada de succión

## Almacenamiento

Antes de almacenar la máquina, desconecte la unidad portátil de alimentación eléctrica de la máquina, y realice un mantenimiento completo. Almacene la máquina en un lugar fuera del alcance de los niños y que no esté expuesta a la humedad, lluvia o a la luz directa del sol.

El orificio para el gancho en la parte inferior de la máquina resulta útil para colgarla en la pared usando un clavo o tornillo.



► 1. Orificio

# RESOLUCIÓN DE PROBLEMAS

Antes de solicitar alguna reparación, primero realice una inspección por su cuenta. Si detecta algún problema que no esté explicado en el manual, no intente desensamblar la máquina. En vez de esto, solicite la reparación a un centro de servicio autorizado de Makita, usando siempre piezas de repuesto Makita.

Estado de la anomalía	Causa probable (avería)	Remedio
El motor no funciona.	La batería no está instalada.	Instale la batería.
	Problema con la batería (bajo voltaje)	Recargue la batería. Si la recarga no es efectiva, reemplace la batería.
	El sistema de accionamiento no funciona correctamente.	Solicite la reparación en el centro de servicio autorizado de su localidad.
El motor deja de funcionar después de un rato de uso.	El nivel de carga de la batería es bajo.	Recargue la batería. Si la recarga no es efectiva, reemplace la batería.
	Sobrecalentamiento.	Deje de usar la máquina para permitir que se enfríe.
La máquina no alcanza la velocidad máxima.	La batería está mal instalada.	Instale la batería como se describe en este manual.
	La potencia de la batería se está reduciendo.	Recargue la batería. Si la recarga no es efectiva, reemplace la batería.
	El sistema de accionamiento no funciona correctamente.	Solicite la reparación en el centro de servicio autorizado de su localidad.
Vibración anormal: ⇒ ¡Detenga la máquina inmediatamente!	El sistema de accionamiento no funciona correctamente.	Solicite la reparación en el centro de servicio autorizado de su localidad.
El motor no se puede detener: ⇒ ¡Extraiga la batería inmediatamente!	Avería eléctrica o electrónica.	Extraiga la batería y solicite la reparación en el centro de servicio autorizado de su localidad.

## ACCESORIOS OPCIONALES

**⚠PRECAUCIÓN:** Estos accesorios o aditamentos están recomendados para utilizarse con su producto de Makita especificado en este manual. El uso de cualquier otro accesorio o aditamento puede ocasionar riesgo de lesiones personales. Use los accesorios o aditamentos sólo para los propósitos para los que fueron diseñados.

Si necesita cualquier ayuda para más detalles en relación con estos accesorios, pregunte a su centro de servicio local Makita.

- Tubo adaptador
- Boquilla de extensión
- Boquilla plana
- Juego de boquilla para canalones
- Montaje de banda
- Batería y cargador originales de Makita

**NOTA:** Algunos de los artículos en la lista puede que vengan junto con el paquete del producto como accesorios incluidos. Puede que estos accesorios varíen de país a país.

## GARANTÍA LIMITADA DE MAKITA

### Ésta Garantía no aplica para México

Consulte la hoja de la garantía anexa para ver los términos más vigentes de la garantía aplicable a este producto. En caso de no disponer de esta hoja de garantía anexa, consulte los detalles sobre la garantía descritos en el sitio web de su país respectivo indicado a continuación.

Estados Unidos de América: [www.makitatools.com](http://www.makitatools.com)

Canadá: [www.makita.ca](http://www.makita.ca)

Otros países: [www.makita.com](http://www.makita.com)







**Makita Corporation**  
3-11-8, Sumiyoshi-cho,  
Anjo, Aichi 446-8502 Japan  
[www.makita.com](http://www.makita.com)

885801-930 UB001C-1 EN, FRCA, ESMX 20200821
--